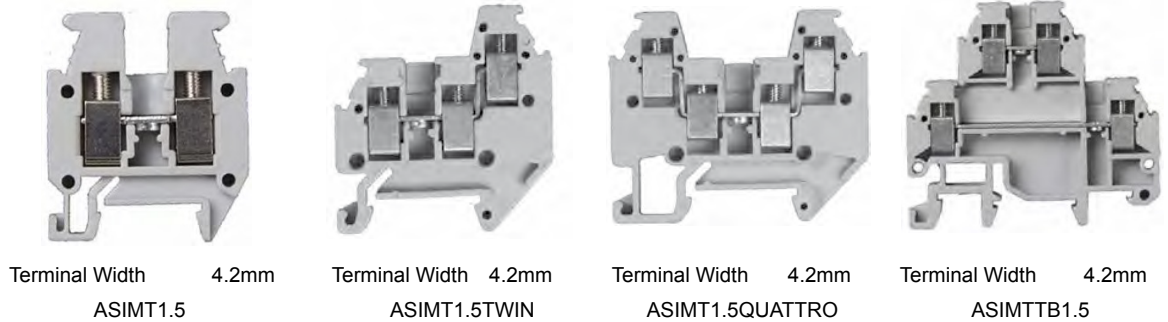


For mounting on the 15mm DIN rail, these very small terminal blocks are ideal for applications where space in the enclosure is limited in all directions. They are available in single level, multiple wire and dual level designs.



SPECIFICATIONS

	ASIMT1.5	ASIMT1.5TWIN	ASIMT1.5QUATTRO	ASIMTTB1.5
Wire range, AWG	30-14	30-14	30-14	30-14
Current Rating	15	15	15	15
Voltage Rating	300	300	300	300
Dimensions (L x H) mm	22.2 x 23	28 x 29.5	33.8 x 29.5	44.4 x 40

ORDERING INFORMATION

	ORDER #	PCS/ PKG	ORDER #	PCS/ PKG	ORDER #	PCS/ PKG	ORDER #	PCS/ PKG
Terminal Block	ASIMT1.5	50	ASIMT1.5TWIN	50	ASIMT1.5QUATTRO	50	ASIMTTB1.5	50

ACCESSORIES

	ORDER #	PCS/ PKG	ORDER #	PCS/ PKG	ORDER #	PCS/ PKG	ORDER #	PCS/ PKG
End Cover	ASIDMT1.5	25	ASIDMT1.5TWIN	25	ASIDMT1.5QUATTRO	25	ASIDMTTB1.5	25
Spacer Cover							ASIDGMTTB1.5	25
Spacer Plate							ASIDPMTTB1.5	25

CIRCUIT BRIDGES

	ORDER #	PCS/ PKG	ORDER #	PCS/ PKG	ORDER #	PCS/ PKG	ORDER #	PCS/ PKG
Internal 10 position With Screws	ASIFBM104N	10	ASIFBM104N	10	ASIFBM104N	10	ASIFBM104N	10

TB MARKERS

	ORDER #	PCS/ PKG	ORDER #	PCS/ PKG	ORDER #	PCS/ PKG	ORDER #	PCS/ PKG
Blank	ASIZBFM4WHB	10	ASIZBFM4WHB	10	ASIZBFM4WHB	10	ASIZBFM4WHB	10
Pre-printed 1-10 vert.	ASIZBFM41010V	10	ASIZBFM41010V	10	ASIZBFM41010V	10	ASIZBFM41010V	10
Pre-printed 1-10 horz.	ASIZBFMH1010H	10	ASIZBFM41010	10	ASIZBFM41010	10	ASIZBFM41010	10
Custom	ASIZB4CXXX	-	ASIZB4CXXX	-	ASIZB4CXXX	-	ASIZB4CXXX	-

END STOP

	ORDER #	PCS/ PKG	ORDER #	PCS/ PKG	ORDER #	PCS/ PKG	ORDER #	PCS/ PKG
(snap-on)	ASIEMBK1	25	ASIEMBK1	25	ASIEMBK1	25	ASIEMBK1	25

DIN RAIL

	ORDER #	PCS/ PKG	ORDER #	PCS/ PKG	ORDER #	PCS/ PKG	ORDER #	PCS/ PKG
(2 meters)								
15mm slotted	PR010	1	PR010	1	PR010	1	PR010	1
15mm non-slotted	PR009	1	PR009	1	PR009	1	PR009	1

SCREWDRIVER

	ORDER #	PCS/ PKG	ORDER #	PCS/ PKG	ORDER #	PCS/ PKG	ORDER #	PCS/ PKG
For use with 4mm terminals	CCH02	1	CCH02	1	CCH02	1	CCH02	1
	CCV03	1	CCV03	1	CCV03	1	CCV03	1