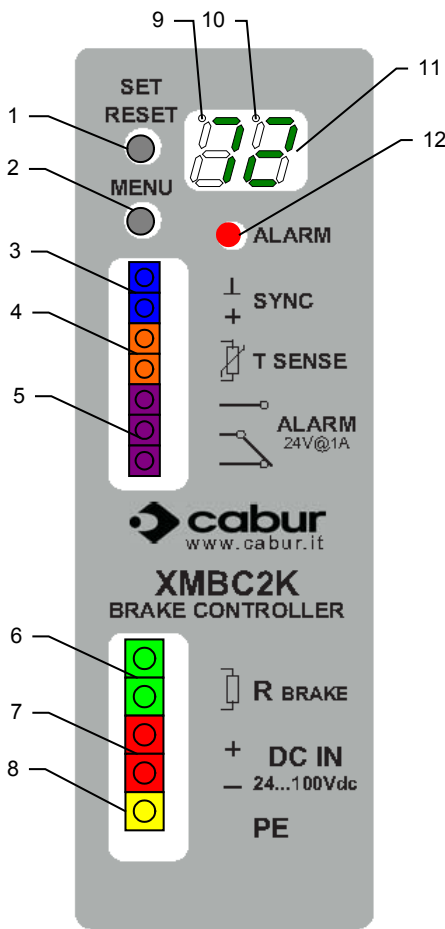


MBC2K

Order#: XMBC2K



Functions and Connections Table



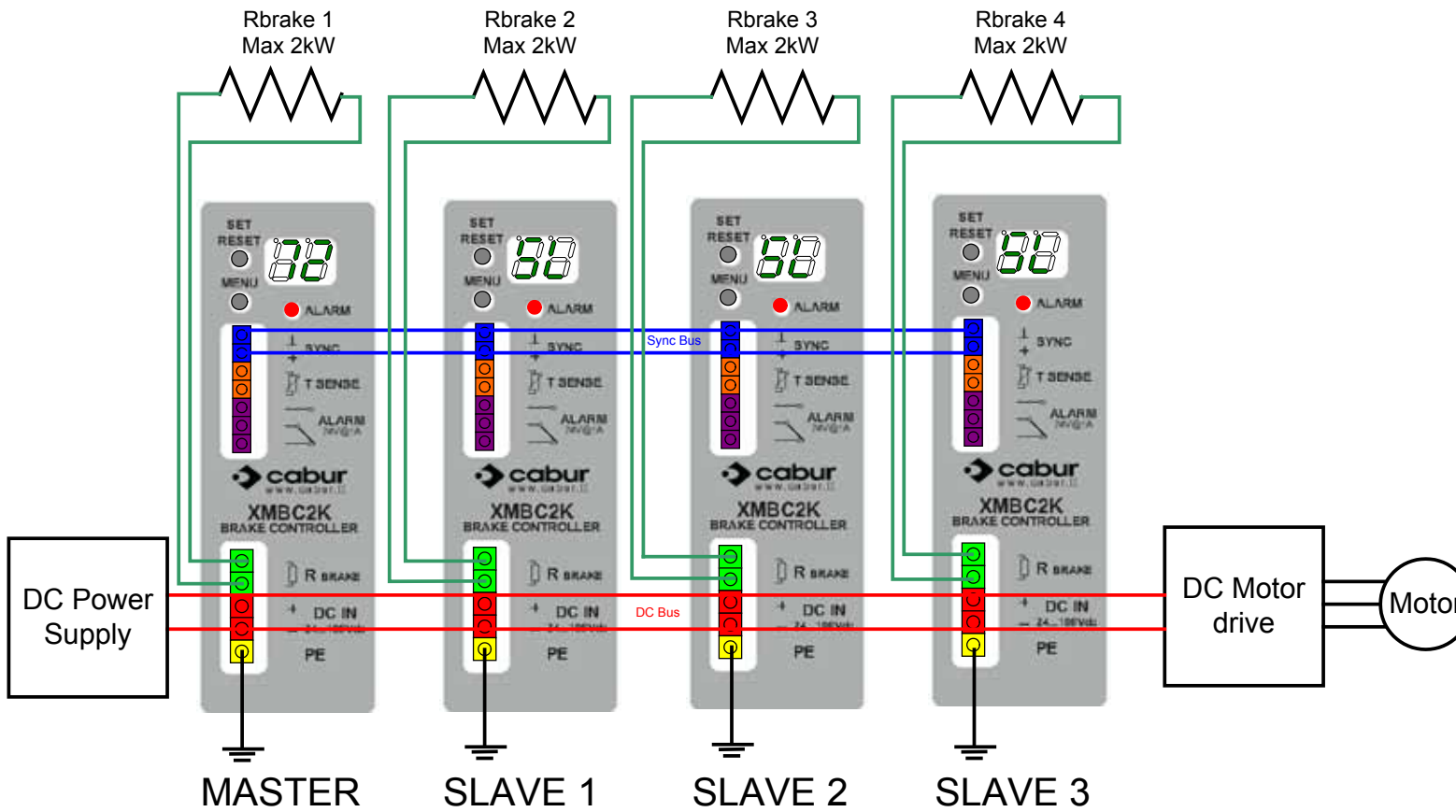
- 1. SET / RESET button** : used to reset the protections and to change the voltage setup values (see Chapter 2).
- 2. MENU button** : used to enter setup mode and to navigate through menu pages (see chapter 2).
- 3. Synchronization bus connector** : used to parallel up to 4 units (see chapter 4).
- 4. Resistor temperature sensor connector** : used to connect the brake resistor temperature Sensor ; sensor shall be normally closed; if not used, short the two terminals with jumper
- 5. Alarm relay dry contacts connector** : an SPDT contact is provided to signal malfunction (see chapter 3).
- 6. Brake resistor connector** : used to connect the brake resistor
- 7. DC Bus connector:** used to connect the MBC2K unit to the power supply Bus (24Vdc -100Vdc).
- 8. Protective earth (PE) connector** : used to connect the protective earth
- 9. LED display 100's indicator** : used to display numbers > 99 on 2 digits; for example when this indicator is lit and the display shows "03" this mean 103V
- 10. Brake indicator LED** : used to display braking activity; when lit it means that there is a current flow through the brake resistor
- 11. 2.5 digits 7 segment display** : in operating mode it shows the voltage measured on the DC Bus (accuracy +/- 1V) ; it's used also to show menu items and error codes (see chapter 2, 3)
- 12. Alarm LED** : used to indicate a faulty condition of the unit (see chapter 2, 3)

MBC2K

Order#: XMBC2K



MBC2K connection of 4 modules, 1 master + 3 slaves for 8kW total braking power



ASI-EZ.COM
877-650-5160

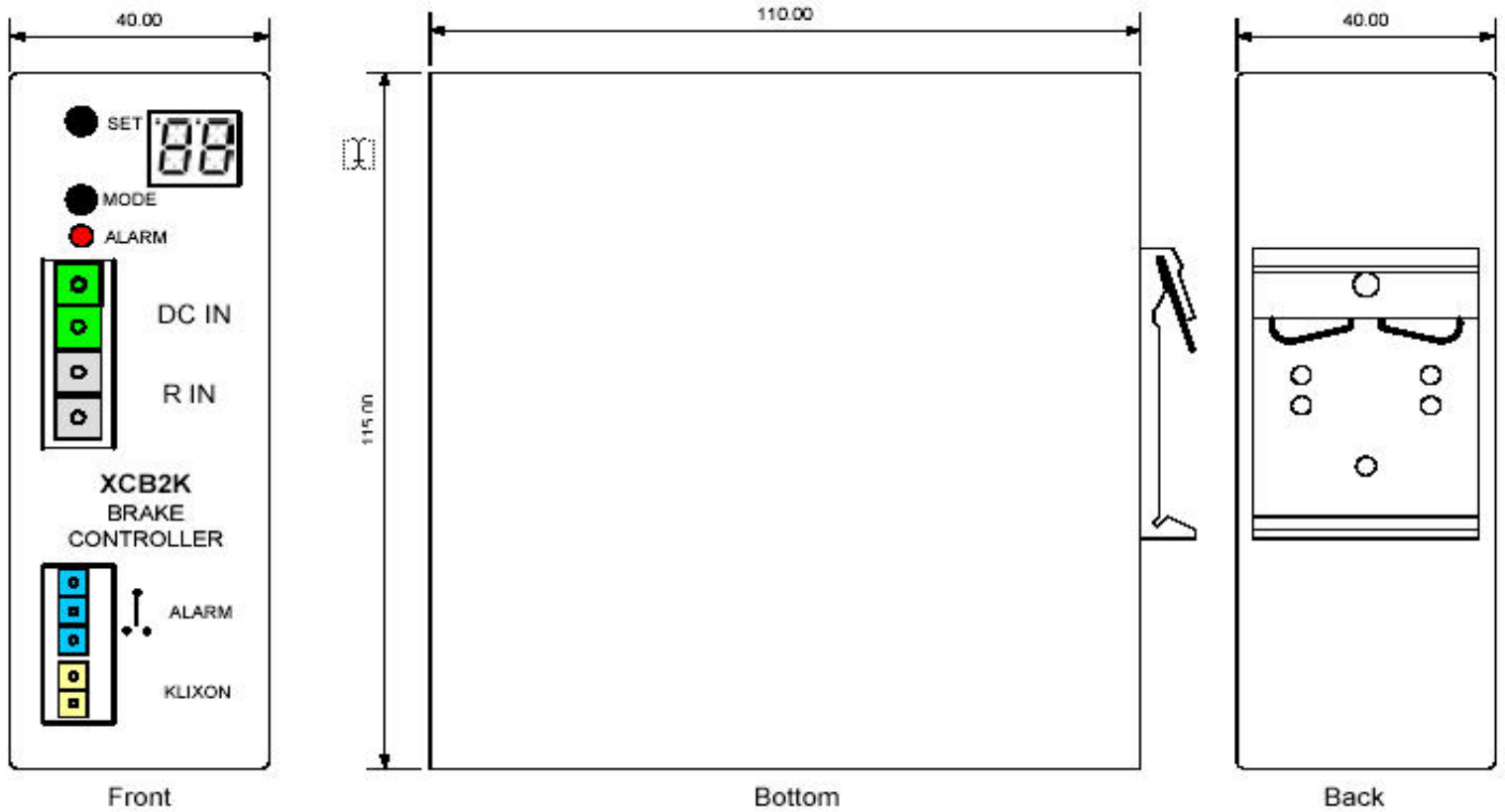
PO Box 1340 Mechanicsburg PA 17055

MBC2K

Order#: XMBC2K



MBC2K dimensions



ASI-EZ.COM

877-650-5160

PO Box 1340 Mechanicsburg PA 17055