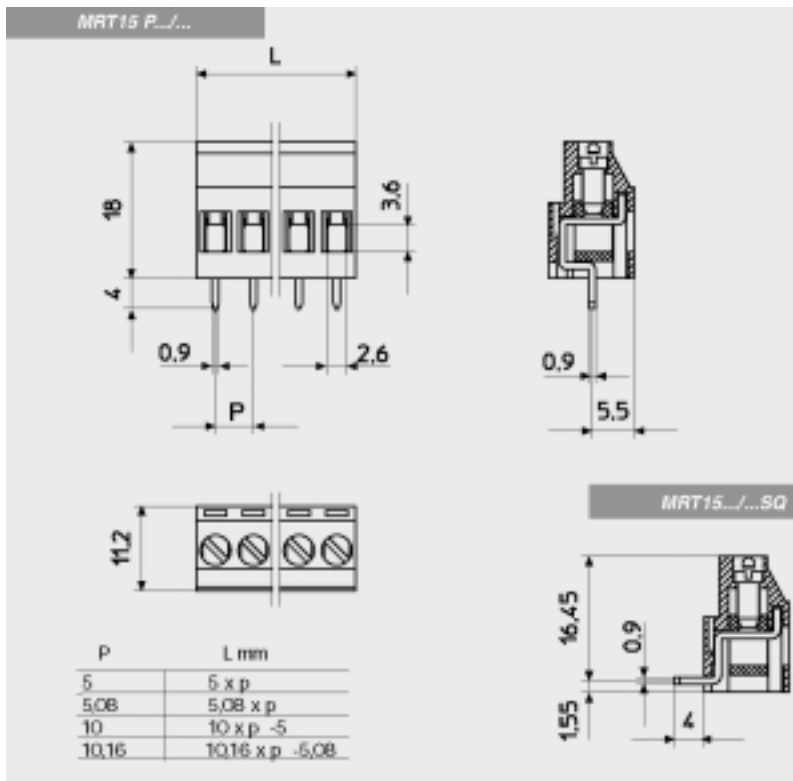
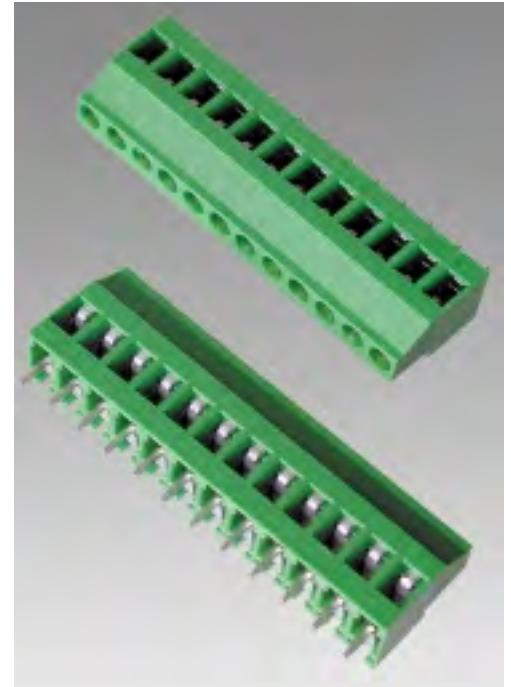


# Multi-Position Fixed PCB Terminal Blocks

The MRT15 printed circuit board terminal blocks are one piece units ranging in size from 1 to 24 circuits, depending on the pin spacing. The standard size block has a UL rating of 16 amps, 300 volts, and can handle a wire range of 12 to 24 A WG. The moving metal body design insures maximum wire termination reliability. The standard color of the MRT15 is green, however other colors are available upon request.

## SPECIFICATIONS

Housing Material: PA68 Polyamide, Flammable UL94V0  
 Housing Color: Green  
 Screw: Zinc Plated Steel  
 Clamp: Nickel Plated Brass  
 Pin: Tin Plated Brass  
 Testing torque: 4.4 in/lb  
 Wire range: 12-24 AWG  
 P.C.B. mounting hole: 1.5mm  
 Nominal current: 16 A  
 Voltage: 300 V  
 Temperature Range: -30° C to 85° C



Catalog #	No. of Positions	Length (mm)
MRT15P5.08-2VE	2	10.16
MRT15P5.08-3VE	3	15.24
MRT15P5.08-4VE	4	20.32
MRT15P5.08-5VE	5	25.40
MRT15P5.08-6VE	6	30.48
MRT15P5.08-7VE	7	35.56
MRT15P5.08-8VE	8	40.64
MRT15P5.08-9VE	9	45.72
MRT15P5.08-10VE	10	50.80
MRT15P5.08-11VE	11	55.88
MRT15P5.08-12VE	12	60.96
MRT15P5.08-13VE	13	66.04
MRT15P5.08-14VE	14	71.12
MRT15P5.08-15VE	15	76.20
MRT15P5.08-16VE	16	81.28
MRT15P5.08-17VE	17	86.36
MRT15P5.08-18VE	18	91.44
MRT15P5.08-19VE	19	96.52
MRT15P5.08-20VE	20	101.60
MRT15P5.08-21VE	21	106.68
MRT15P5.08-22VE	22	111.76
MRT15P5.08-23VE	23	116.84
MRT15P5.08-24VE	24	121.92

To locate additional product specifications and technical drawings go to [www.asi-ez.com](http://www.asi-ez.com)