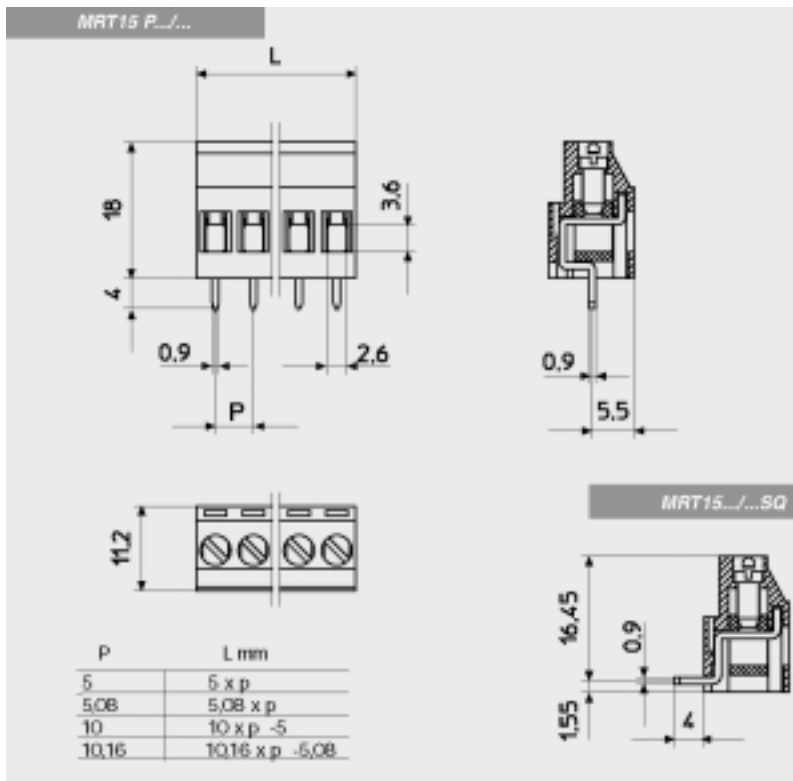
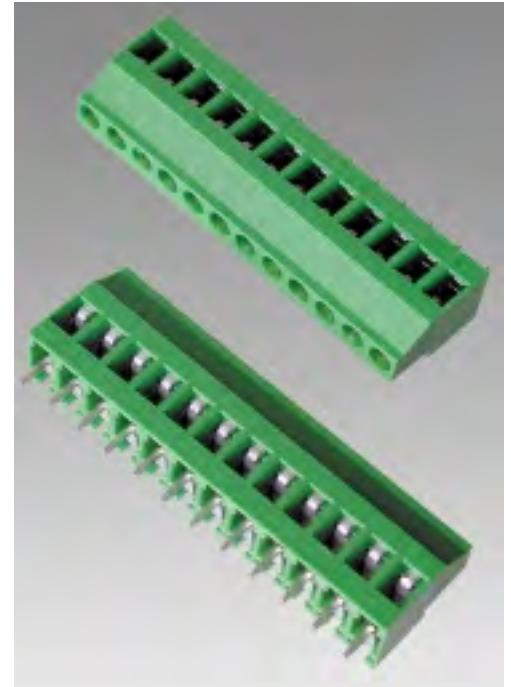


# Multi-Position Fixed PCB Terminal Blocks

The MRT15 printed circuit board terminal blocks are one piece units ranging in size from 1 to 24 circuits, depending on the pin spacing. The standard size block has a UL rating of 16 amps, 300 volts, and can handle a wire range of 12 to 24 A WG. The moving metal body design insures maximum wire termination reliability. The standard color of the MRT15 is green, however other colors are available upon request.

## SPECIFICATIONS

Housing Material:	PA68 Polyamide, Flammable UL94V0
Housing Color:	Green
Screw:	Zinc Plated Steel
Clamp:	Nickel Plated Brass
Pin:	Tin Plated Brass
Testing torque:	4.4 in/lb
Wire range:	12-24 AWG
P.C.B. mounting hole:	1.5mm
Nominal current:	16 A
Voltage:	300 V
Temperature Range:	-30° C to 85° C



Catalog #	No. of Positions	Length (mm)
MRT15P5.08-2SQVE	2	10.16
MRT15P5.08-3SQVE	3	15.24
MRT15P5.08-4SQVE	4	20.32
MRT15P5.08-5SQVE	5	25.40
MRT15P5.08-6SQVE	6	30.48
MRT15P5.08-7SQVE	7	35.56
MRT15P5.08-8SQVE	8	40.64
MRT15P5.08-9SQVE	9	45.72
MRT15P5.08-10SQVE	10	50.80
MRT15P5.08-11SQVE	11	55.88
MRT15P5.08-12SQVE	12	60.96
MRT15P5.08-13SQVE	13	66.04
MRT15P5.08-14SQVE	14	71.12
MRT15P5.08-15SQVE	15	76.20
MRT15P5.08-16SQVE	16	81.28
MRT15P5.08-17SQVE	17	86.36
MRT15P5.08-18SQVE	18	91.44
MRT15P5.08-19SQVE	19	96.52
MRT15P5.08-20SQVE	20	101.60
MRT15P5.08-21SQVE	21	106.68
MRT15P5.08-22SQVE	22	111.76
MRT15P5.08-23SQVE	23	116.84
MRT15P5.08-24SQVE	24	121.92

To locate additional product specifications and technical drawings go to [www.asi-ez.com](http://www.asi-ez.com)