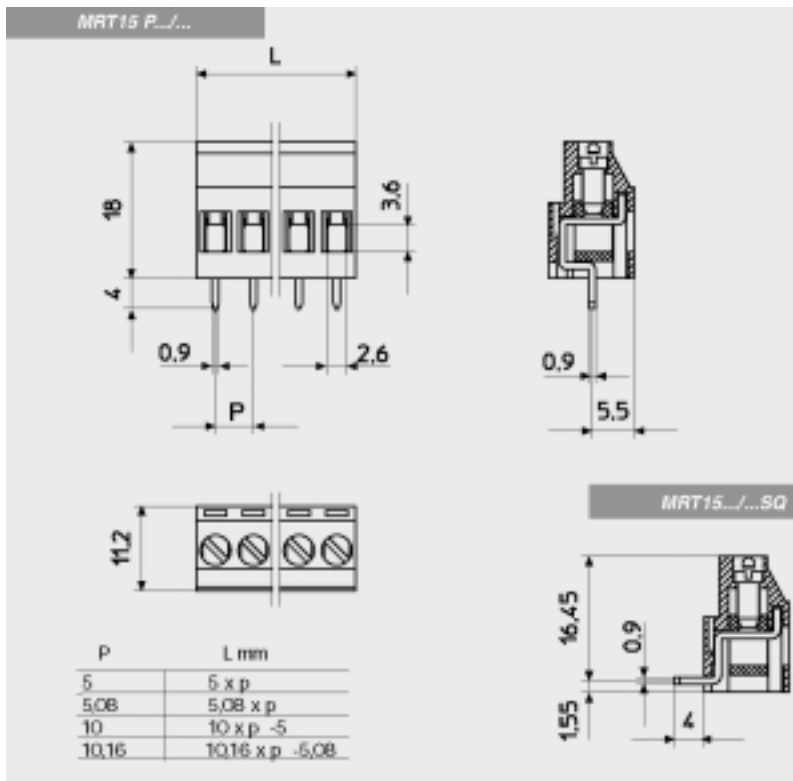
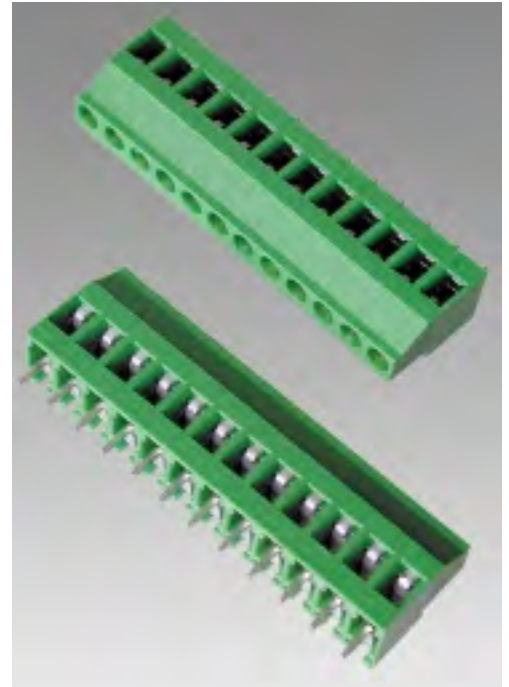


Multi-Position Fixed PCB Terminal Blocks

The MRT15 printed circuit board terminal blocks are one piece units ranging in size from 1 to 24 circuits, depending on the pin spacing. The standard size block has a UL rating of 16 amps, 300 volts, and can handle a wire range of 12 to 24 A WG. The moving metal body design insures maximum wire termination reliability. The standard color of the MRT15 is green, however other colors are available upon request.

SPECIFICATIONS

Housing Material: PA68 Polyamide, Flammable UL94V0
 Housing Color: Green
 Screw: Zinc Plated Steel
 Clamp: Nickel Plated Brass
 Pin: Tin Plated Brass
 Testing torque: 4.4 in/lb
 Wire range: 12-24 AWG
 P.C.B. mounting hole: 1.5mm
 Nominal current: 16 A
 Voltage: 300 V
 Temperature Range: -30° C to 85° C



Catalog #	No. of Positions	Length (mm)
MRT15P5-2VE	2	10
MRT15P5-3VE	3	15
MRT15P5-4VE	4	20
MRT15P5-5VE	5	25
MRT15P5-6VE	6	30
MRT15P5-7VE	7	35
MRT15P5-8VE	8	40
MRT15P5-9VE	9	45
MRT15P5-10VE	10	50
MRT15P5-11VE	11	55
MRT15P5-12VE	12	60
MRT15P5-13VE	13	65
MRT15P5-14VE	14	70
MRT15P5-15VE	15	75
MRT15P5-16VE	16	80
MRT15P5-17VE	17	85
MRT15P5-18VE	18	90
MRT15P5-19VE	19	95
MRT15P5-20VE	20	100
MRT15P5-21VE	21	105
MRT15P5-22VE	22	110
MRT15P5-23VE	23	115
MRT15P5-24VE	24	120

To locate additional product specifications and technical drawings go to www.asi-ez.com