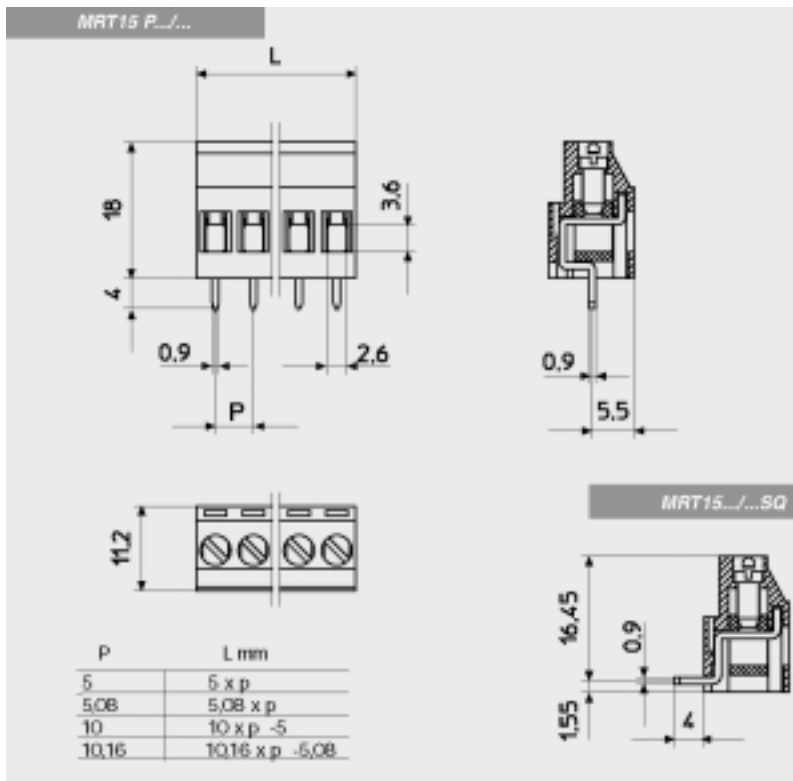
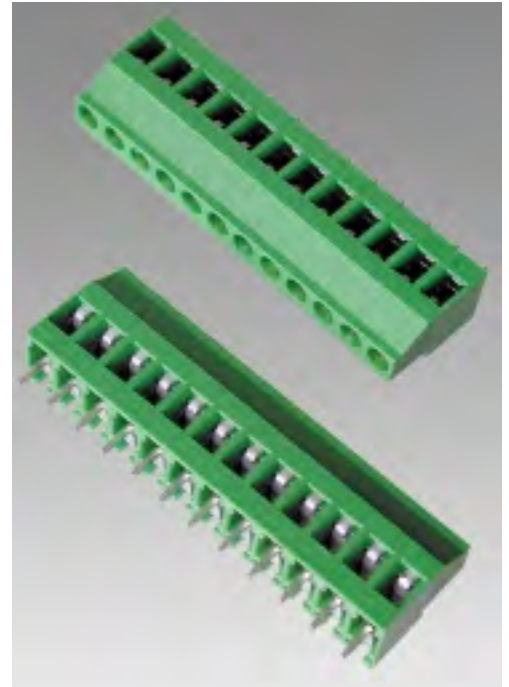


Multi-Position Fixed PCB Terminal Blocks

The MRT15 printed circuit board terminal blocks are one piece units ranging in size from 1 to 24 circuits, depending on the pin spacing. The standard size block has a UL rating of 16 amps, 300 volts, and can handle a wire range of 12 to 24 A WG. The moving metal body design insures maximum wire termination reliability. The standard color of the MRT15 is green, however other colors are available upon request.

SPECIFICATIONS

Housing Material:	PA68 Polyamide, Flammable UL94V0
Housing Color:	Green
Screw:	Zinc Plated Steel
Clamp:	Nickel Plated Brass
Pin:	Tin Plated Brass
Testing torque:	4.4 in/lb
Wire range:	12-24 AWG
P.C.B. mounting hole:	1.5mm
Nominal current:	16 A
Voltage:	300 V
Temperature Range:	-30° C to 85° C



Catalog #	No. of Positions	Length (mm)
MRT15P5-2SQVE	2	10
MRT15P5-3SQVE	3	15
MRT15P5-4SQVE	4	20
MRT15P5-5SQVE	5	25
MRT15P5-6SQVE	6	30
MRT15P5-7SQVE	7	35
MRT15P5-8SQVE	8	40
MRT15P5-9SQVE	9	45
MRT15P5-10SQVE	10	50
MRT15P5-11SQVE	11	55
MRT15P5-12SQVE	12	60
MRT15P5-13SQVE	13	65
MRT15P5-14SQVE	14	70
MRT15P5-15SQVE	15	75
MRT15P5-16SQVE	16	80
MRT15P5-17SQVE	17	85
MRT15P5-18SQVE	18	90
MRT15P5-19SQVE	19	95
MRT15P5-20SQVE	20	100
MRT15P5-21SQVE	21	105
MRT15P5-22SQVE	22	110
MRT15P5-23SQVE	23	115
MRT15P5-24SQVE	24	120

To locate additional product specifications and technical drawings go to www.asi-ez.com