

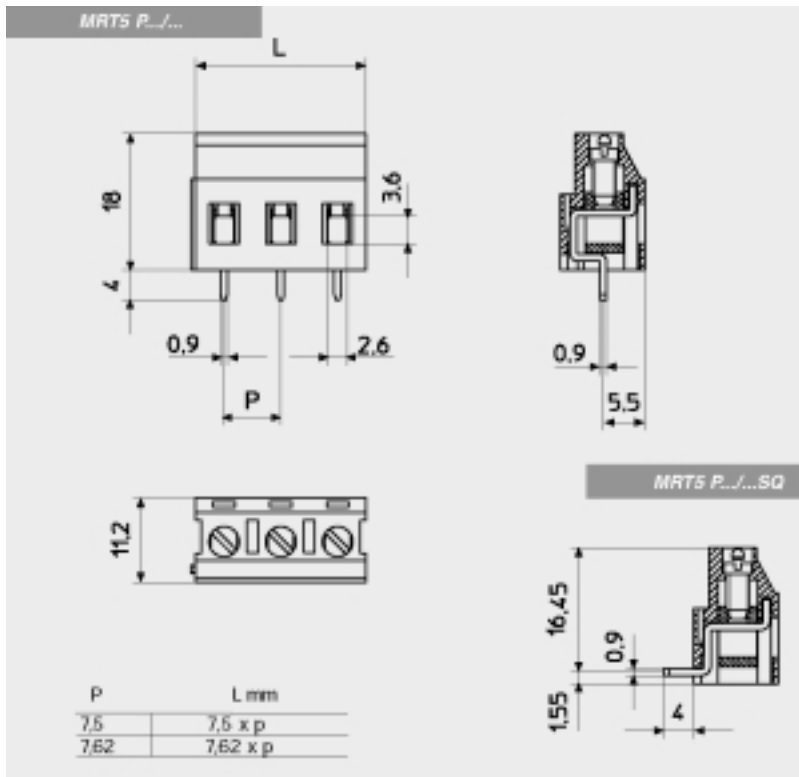
Modular PCB Terminal Blocks

The MRT5 is a family of standard size industrial printed circuit board terminal blocks. The modular 2 and 3 position housing can be interlocked to come up with any circuit combination thereby reducing inventory requirements. The MRT5 is UL rated at 16 amps, 300 volts, and will handle a wire range of 12 to 24 AWG. The moving metal body design insures maximum wire termination reliability. The standard color of the MRT5 family is green, however other colors are available upon request.



SPECIFICATIONS

Housing Material:	PA68 Polyamide, Flammable UL94V0
Housing Color:	Green
Screw:	Zinc Plated Steel
Clamp:	Nickel Plated Brass
Pin:	Tin Plated Brass
Testing torque:	4.4 in/lb
Wire range:	12-24 AWG
P.C.B. mounting hole:	1.5mm
Nominal current:	16 A
Voltage:	300 V
Temperature Range:	-30° C to 110° C



Catalog #	No. of Positions	Length (mm)
MRT5P7.62-2SQVE	2	15.24
MRT5P7.62-3SQVE	3	22.86

To locate additional product specifications and technical drawings go to www.asi-ez.com