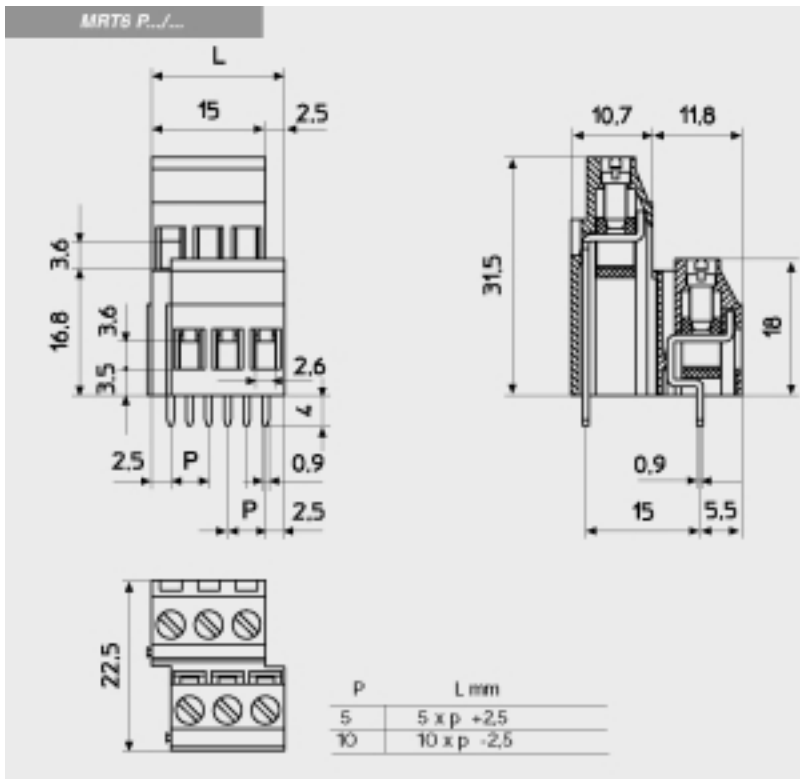
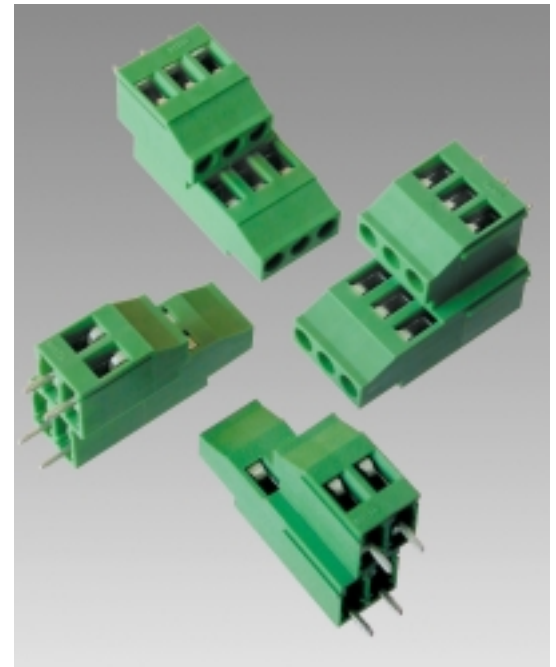


Multi-Level PCB Terminal Blocks

The MRT6 is a double level printed circuit board terminal block that is used in those applications where double wiring density is required. The MRT6 is modular and is available in a 2 and 3 position, interlocking housing, which has a wiring capacity of 4 and 6 wires, respectively. The UL rating is 16 amps, 300 volts with a wire range of 12 to 24 AWG. The moving clamp design insures maximum wiring reliability. The standard color is green and other colors are available upon request.

SPECIFICATIONS

Housing Material:	PA68 Polyamide, Flammable UL94V0
Housing Color:	Green
Screw:	Zinc Plated Steel
Clamp:	Nickel Plated Brass
Pin:	Tin Plated Brass
Testing torque:	4.4 in/lb
Wire range:	12-24 AWG
P.C.B. mounting hole:	1.5mm
Nominal current:	16 A
Voltage:	300 V
Temperature Range:	-30° C to 85° C



Catalog #	No. of Positions	Length (mm)
MRT6P5-2VE	2	7.5
MRT6P5-3VE	3	12.5

To locate additional product specifications and technical drawings go to www.asi-ez.com