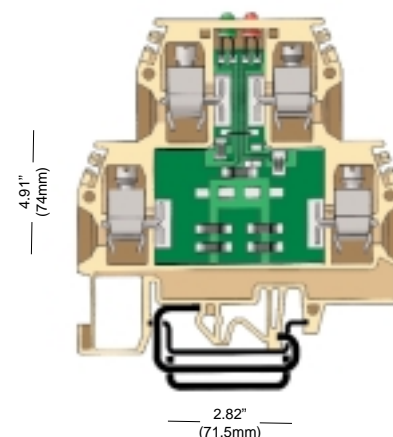
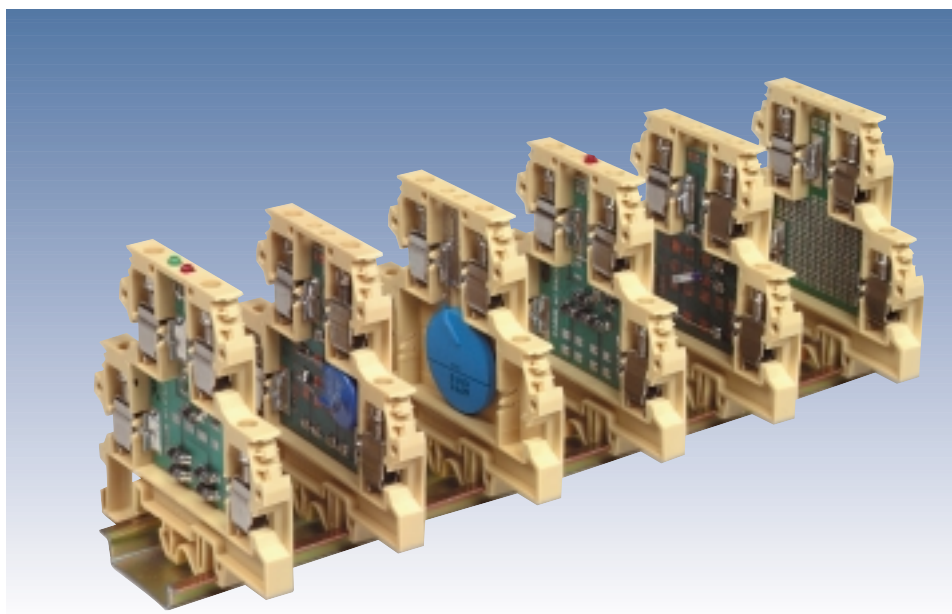


ELECTRONIC CIRCUIT TERMINAL BLOCKS



Terminal width .26" (6.5mm) Wire strip length .40" (11mm)

Electronic Circuit Terminal Blocks

The electronic circuit terminal blocks, PCE series, is a family of high density terminal blocks that provide additional functions in a limited amount of space. The PCE.4 terminal blocks have four separate points of screw clamp wire connections to a printed circuit board that is conveniently housed internally to the terminal block itself. The printed circuit board uses state-of-the-art surface mount technology, SMT components, in order to reduce the overall size and provide as many functions as possible in this small space. Currently the PCE.4 family is comprised of over 25 variations including diode arrays, temperature devices, over-voltage protection and LED indication to name a few.

In addition to the already available circuit configurations shown in the next two pages, the PCE.4/X is available which allows the customer to produce engineering prototypes or special circuits on demand. Finally, due to the flexibility of this product and the ease of manufacture, it is possible to have ASI design a specific circuit board to meet your requirements for specific applications.

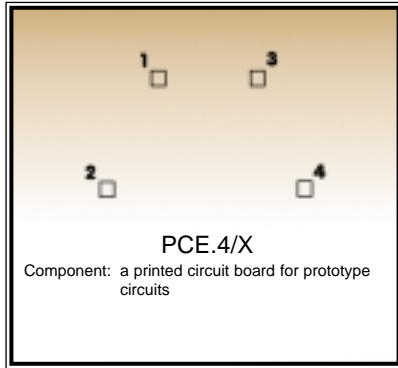
Consult the factory with your requirements and specifications for special circuit board designs.

PCE.4

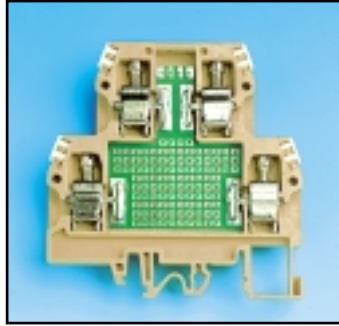
SPECIFICATIONS		WIRE RANGE	CURRENT (A)	VOLTAGE (V)
Connection Data		20 - 10 AWG	1	750 *
Test Voltage		0.5 - 4mm	1 / 3	3000 *
* Values refer to insulation characteristics				
ORDERING INFORMATION		TYPE	CATALOG No.	Pcs/Pkg
Component holder terminal block,	Beige	PCE.4/...	PE...	5
ACCESSORIES		TYPE	CATALOG No.	Pcs/Pkg
End cover, width .06" (1.5mm)	Beige	PCE/PT	PE101	25
Partition plate,	White Red Green	DFU/6/B DFU/6/R DFU/6/V	DU06B DU06R DU06V	25 25 25
Marking system,	custom marker universal marker	CM CNU/8/030	CM... NU008	5
End stop, width .31" (8mm)	universal 35mm rail only	BTU BT/3	BT005 BT003	25 25
Mounting rail, DIN (2 meter length)	non-slotted symmetrical 35mm x 7.5mm slotted symmetrical 35mm x 7.5mm non-slotted symmetrical 35mm x 15mm slotted symmetrical 35mm x 15mm	PR/3/AC PR/3/AS PR/3/PP PR/3/PA	PR003 PR005 PR007 PR006	1 1 1 1

To locate additional product specifications and technical drawings go to www.asi-ez.com

Electronic Circuit Prototyping Terminal Blocks

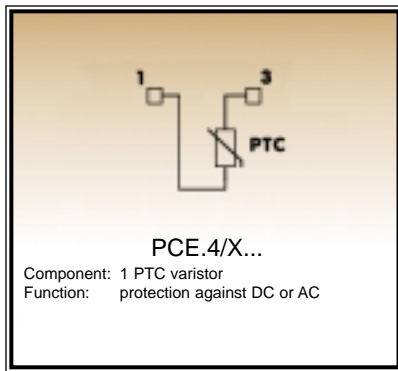


Catalog No. PE100



The PCE.4/X circuit prototyping terminal block can be used to develop a custom circuit, test out a new design, or to build a small number of special circuit devices. The PCE.4/X prototype terminal block comes complete with a printed circuit board that will accept components with a maximum thickness of .18" (4.5mm). The amount of board space available for components is 1.46" (37mm) x .98" (25mm). Once a circuit has been defined, ASI can manufacture a completed electronic circuit terminal block to the customers specifications.

Resettable Fuse (PTC) Terminal Blocks



Catalog No. PE991 - PE994

The PCE.4/X range of terminal blocks uses a special resettable fuse. Positive temperature coefficient (PTC) devices eliminate the need for traditional fuses in electronic products. PTCs limit the flow of dangerously high currents during fault conditions. Unlike traditional fuses, PTC devices automatically reset after the fault is cleared and power to the circuits is removed, thereby reducing warranty, service and repair costs. Because they are solid state devices, PTC resettable fuses are able to withstand mechanical shock and vibration, and also provides reliable protection in a wide variety of applications.

TYPE	CATALOG NO.	V_N	V_N $T_A=60^\circ\text{C}$	I_N mA	I_S mA	$I_{S\text{MAX}}$ A	I_R mA	RES MAX Ω	R_{MIN} Ω	T_{PTC} $^\circ\text{C}$	N
PCE.4/XA	PE 991	220	220	350	710	10	20	2.6	1.6	80	100
PCE.4/XB	PE 992	220	220	170	350	4.1	10	6.0	3.6	80	100
PCE.4/XC	PE 993	63	63	530	1100	15	50	0.9	0.6	80	100
PCE.4/XD	PE.994	220	220	240	510	7	—	3.7	2.2	80	100

Operating Temperature

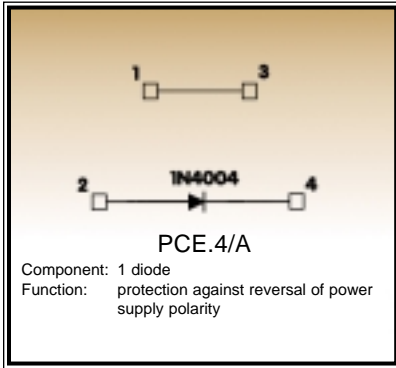
$T_{\text{op}} = -25\text{-}125^\circ\text{C}$ ($V=0$)

$0\text{-}60^\circ\text{C}$ ($V=V_{\text{max}}$)

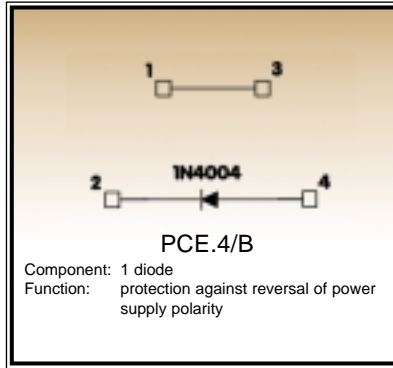
- V_N Rated voltage
- V_{MAX} Maximum continuous voltage $T_{25} = 25^\circ\text{C}$ ($V_N + 15\%$)
- I_N Hold current
- I_S Trip current
- $I_{S\text{MAX}}$ Maximum interrupt capacity
- I_R Leakage current
- R_{MAX} Maximum pre-trip resistance at 25°C
- R_{MIN} Minimum pre-trip resistance at 25°C
- T_{PTC} Maximum operating temperature
- N Number of operations at $I_{S\text{MAX}}$ without damages for PTC

To locate additional product specifications and technical drawings go to www.asi-ez.com

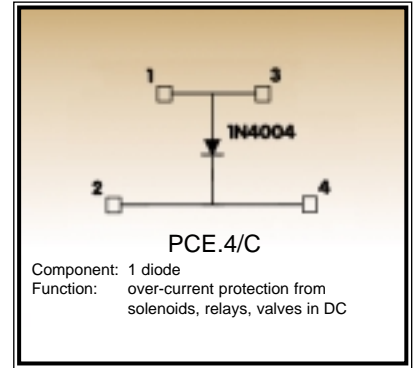
PCE SERIES - ELECTRONIC CIRCUIT TERMINAL BLOCKS



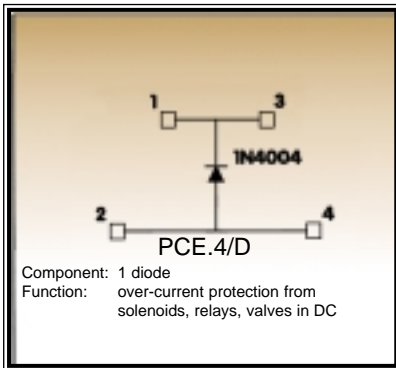
Catalog No. PE111



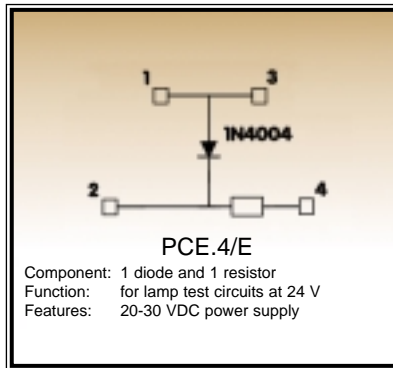
Catalog No. PE112



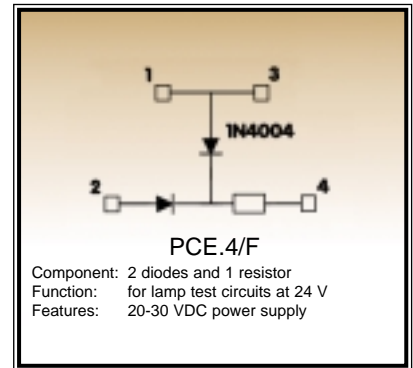
Catalog No. PE113



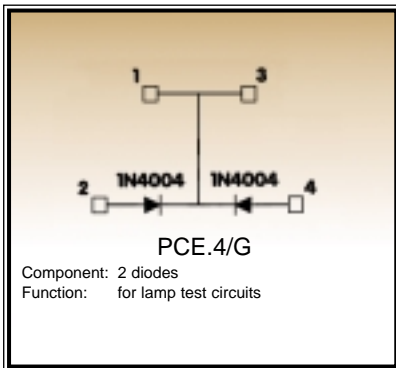
Catalog No. PE114



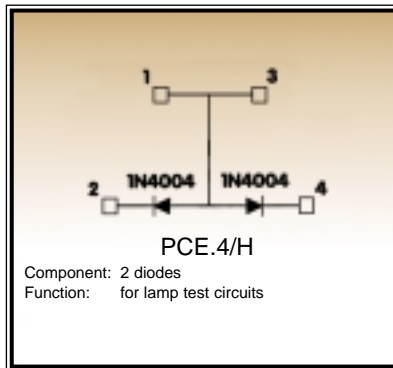
Catalog No. PE115



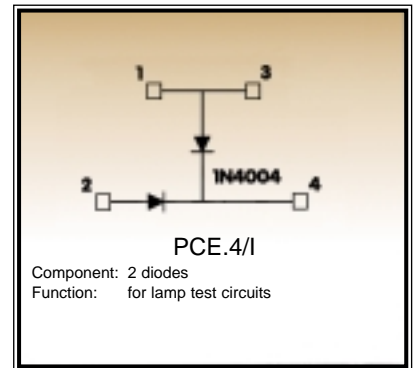
Catalog No. PE116



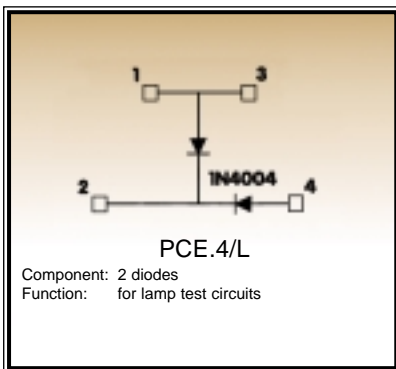
Catalog No. PE117



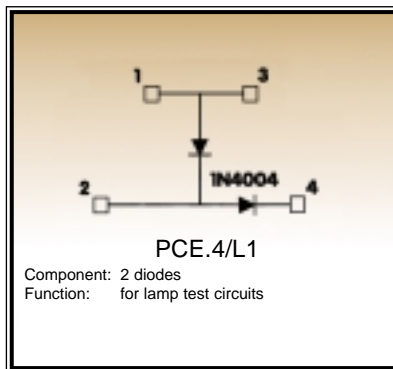
Catalog No. PE118



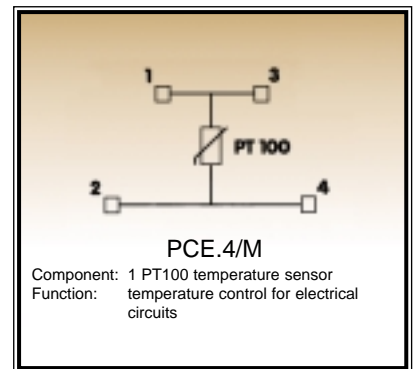
Catalog No. PE119



Catalog No. PE120

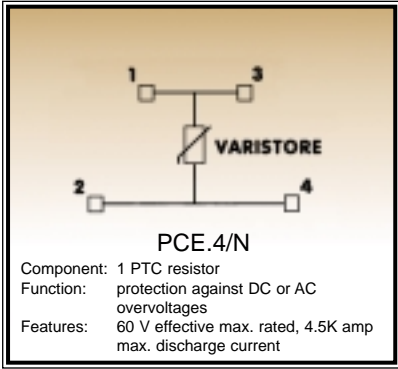


Catalog No. PE134

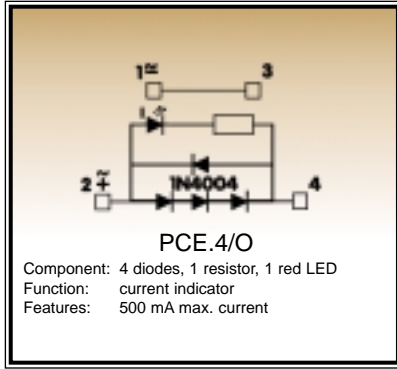


Catalog No. PE121

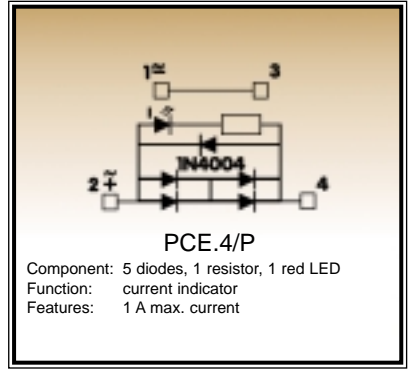
To locate additional product specifications and technical drawings go to www.asi-ez.com



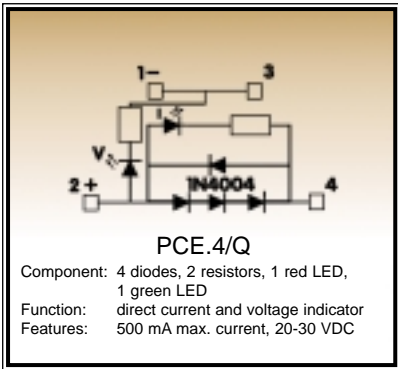
Catalog No. PE122



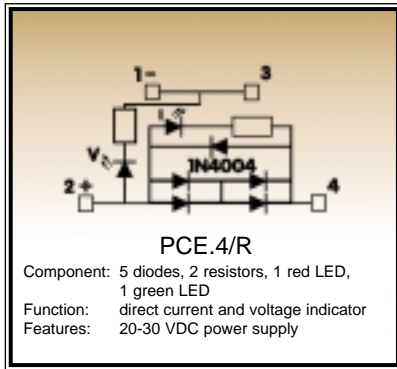
Catalog No. PE123



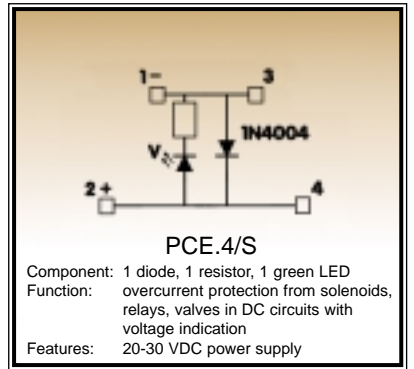
Catalog No. PE124



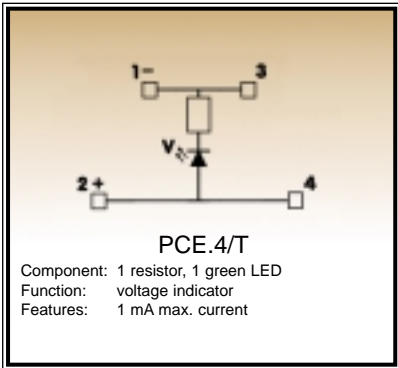
Catalog No. PE125



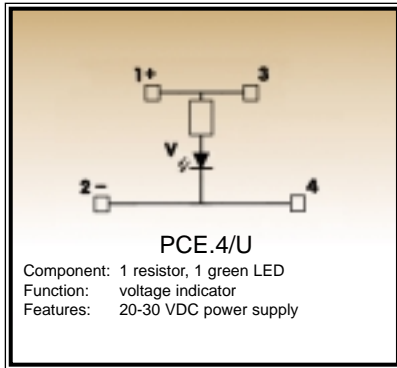
Catalog No. PE126



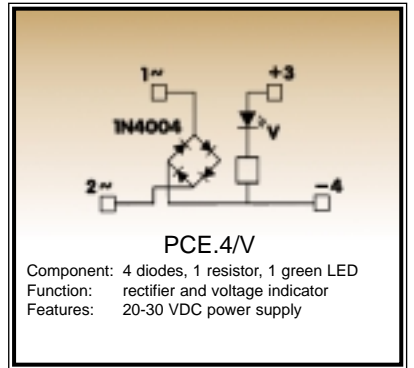
Catalog No. PE127



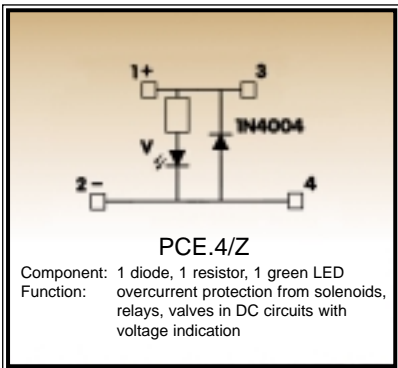
Catalog No. PE128



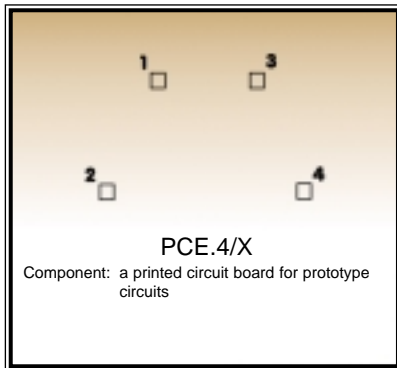
Catalog No. PE129



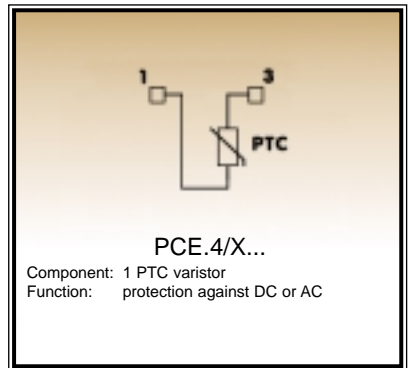
Catalog No. PE130



Catalog No. PE131



Catalog No. PE100



Catalog No. PE991 - PE994