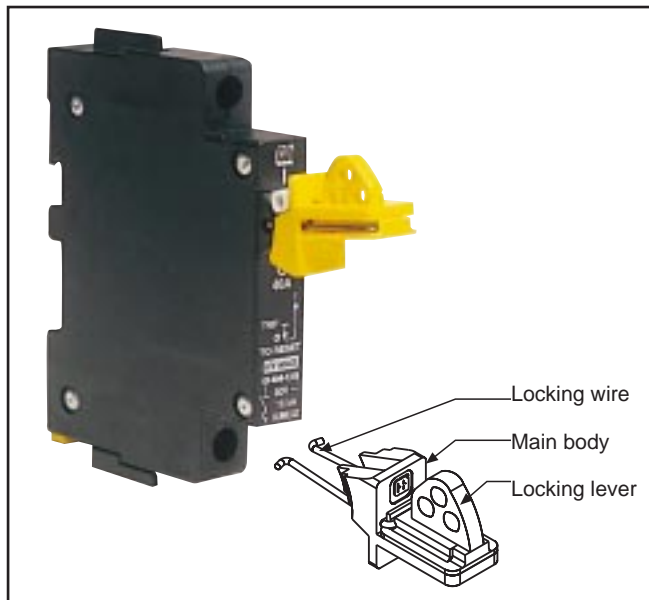


Circuit Breaker Lockout Assembly

Catalog Number - QFAP001

Application

The handle lock can be used to lock the Q Range circuit breakers in either the "ON" or "OFF" position.



FEATURES

- Molded in self extinguishing yellow thermoplastic.
- Can accommodate up to three padlocks with a 3mm shank diameter.
- Can be used on single and multipole units.
- Can be fitted to switches as well as MCB's.
- Locking mechanism does not impede the internal tripping action of the breaker.

Installation

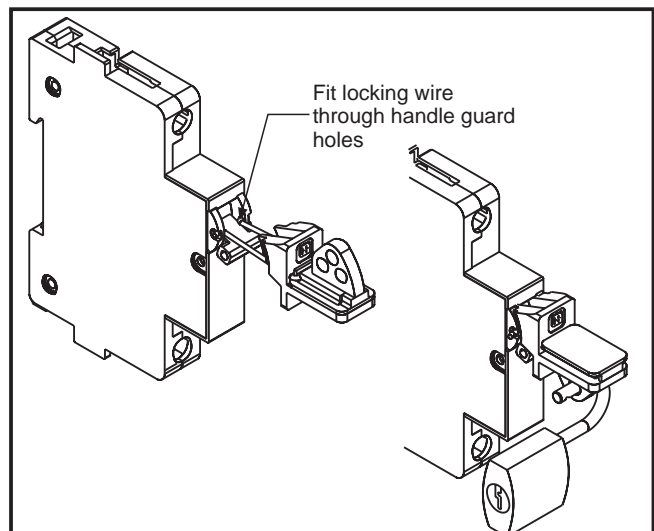
1. Open the locking lever by hinging it outwards.
2. Push the lever towards the main body so that the wires protrude.

To lock the breaker in the "OFF" position

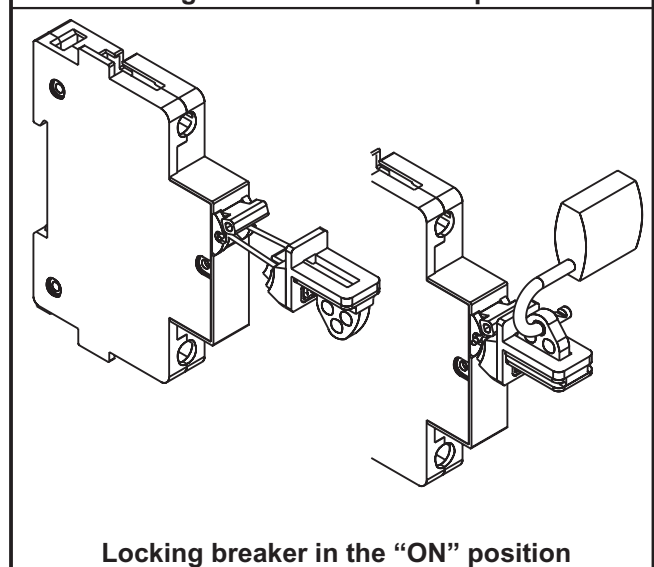
3. Squeeze the locking wires between the thumb and forefinger and clip wires into holes of handle guard.
4. Move the main body towards the breaker until it fits snugly in the recess above the handle. (Handle is in "OFF" position).
5. Hinge the locking lever back into place.
6. Insert up to three padlocks with a 3mm shank diameter.

To lock the breaker in the "ON" position

3. Rotate handle lock 180°.
4. Squeeze the locking wires between the thumb and forefinger and clip wires into holes of handle guard.
5. Move the main body towards the breaker until it fits snugly in the recess below the handle. (Handle is in "ON" position).
6. Hinge the locking lever back into place.
7. Insert up to three padlocks with a 3mm shank diameter.



Locking breaker in the "OFF" position



Locking breaker in the "ON" position

To locate additional product specifications and technical drawings go to www.asi-ez.com