

Panel Interface Connector, Circuit Breaker & Single AC Outlet

ASI RAI-SAC-102-B, RAI-SAC-104-B,
RAI-SAC-107-B, RAI-SAC-109-B

Features:

- UL approved outlet and circuit breaker
- IP65 rating with locking dust cover
- Robust aluminum housing

Connector Specifications, Circuit Breaker:

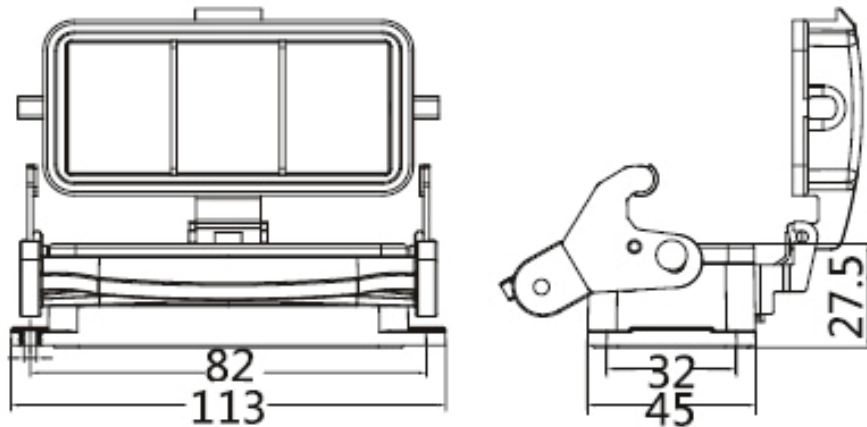
Current Rating: 3,5,10, or 15 Amp
Trip Curve: AC Medium
Voltage: 240 Vac

AC Outlet Technical Data:

Ratings UL/CSA: 15 A/125 Vac; 60 Hz
Allowable
Operation Temp.: -25 °C to +60 °C
Material: Housing thermoplastic, black



Mounting and Housing Dimensions (mm)



**Other circuit breaker variations
are available.*

Call 877-650-5160 to learn
more.

