

Remote Access Interface D-Sub Connector



9-Pin D-Sub Male	Part#: RAI-DSUB9M
9-Pin D-Sub Female	Part#: RAI-DSUB9F
25-Pin D-Sub Male	Part#: RAI-DSUB25M
25-Pin D-Sub Female	Part#: RAI-DSUB25F

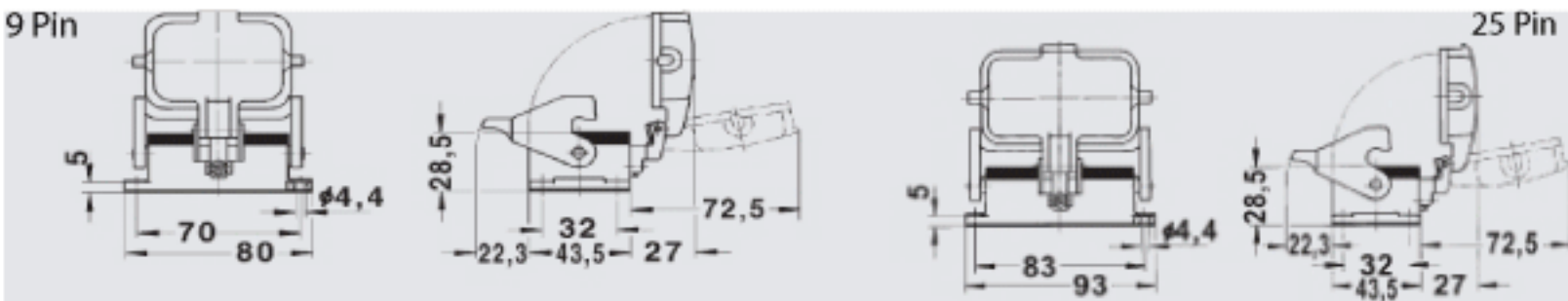
Features:

- Standard 9-pin and 25-pin D-sub connector
- Locking screws for securing cable
- Male or female connector
- IP65 rating with locking dust cover
- Robust aluminum housing

Connector Specifications, D-Sub :

Current Rating:	3 Amp
Insulator:	PBT Glass fiber reinforced UL94V-0
Contact:	Brass
Contact Plating:	Gold plated over Nickel
Dielectric Strength:	1000 VAC for one minute
Temperature:	-55°C to +105 °C

Housing Dimensions(mm):



Mounting Dimensions (mm)

