

# RECTANGULAR INDUCTIVE SENSORS SIP12 - SIP17 - SIP25

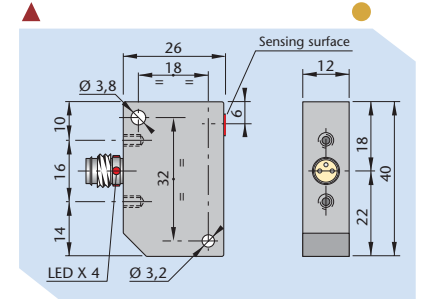
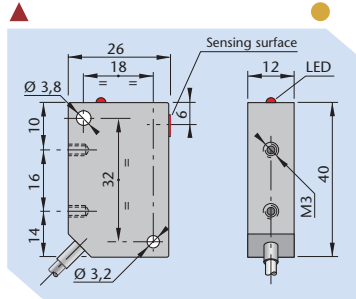


3/4 WIRES D.C.  
CONFORMING TO EN 50044  
VERSION-C

- ▲ **EMBEDDABLE** (FLUSH MOUNTING)
- **NOT EMBEDDABLE** (NON FLUSH MOUNTING)

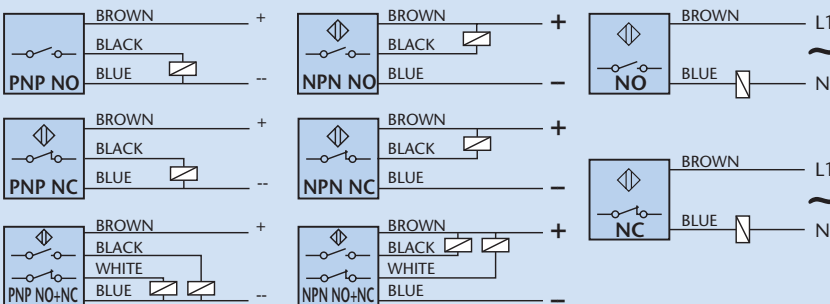
## TECHNICAL CHARACTERISTICS

Dimensions mm



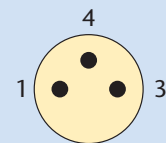
AMPLIFIED 3 WIRES D.C.	NPN	NO			SIP12 - C2 NPN NO H1	SIP12 - CE4 NPN NO H1
		NC			SIP12 - C2 NPN NC H1	SIP12 - CE4 NPN NC H1
	PNP	NO			SIP12 - C2 PNP NO H1	SIP12 - CE4 PNP NO H1
		NC			SIP12 - C2 PNP NC H1	SIP12 - CE4 PNP NC H1
AMP. 4 WIRES D.C. ANTIPHASE	NPN	NO+NC	SIP12 - C2 NPN NO + NC	SIP12- CE4 NPN NO + NC		
	PNP	NO+NC	SIP12 - C2 PNP NO + NC	SIP12- CE4 PNP NO + NC		
AMPLIFIED 2 WIRES A.C.		NO				
		NC				
Switching distance (Sn)	mm		2	4	2	4
Continuous voltage (residual ripple ≤10%)	V				10 ÷ 30	
Alternating voltage 50÷60 Hz	V					
Hysteresis (%Sn)	mm				<10%	
Switching frequency	Hz				1000	
Repeatability	% of Sn				≤ 3	
Max output current	mA				200	
Min output current	mA					
Max peak current for 20 ms	A					
Absorption at 24Vdc	mA				<15	
Residual current	mA					
Voltage drop (sensor ON)	V				<1.8	
Short circuit protection					Incorporated	
Led					Incorporated	
Temperature limits	°C				- 25 ÷ + 70	
Degree of protection	IP				67	
Housing					Plastic	
Cable PVC	2m		4 x 0.25 mm <sup>2</sup>			
Connector plug						H1

## WIRING DIAGRAMS



N.B.: On request is available cable for sensors with different length 3.5 - 7.5 - 5 - 10 metres.

## CONNECTION WITH H1 PLUG FOR THE CONNECTORS SEE PAGE 85



VIEW OF MALE CONNECTOR H1:

1 = Brown / +

3 = Blue / -

4 = Black / output NPN-PNP / NO-NC

To locate additional product specifications and technical drawings go to [www.asi-ez.com](http://www.asi-ez.com)