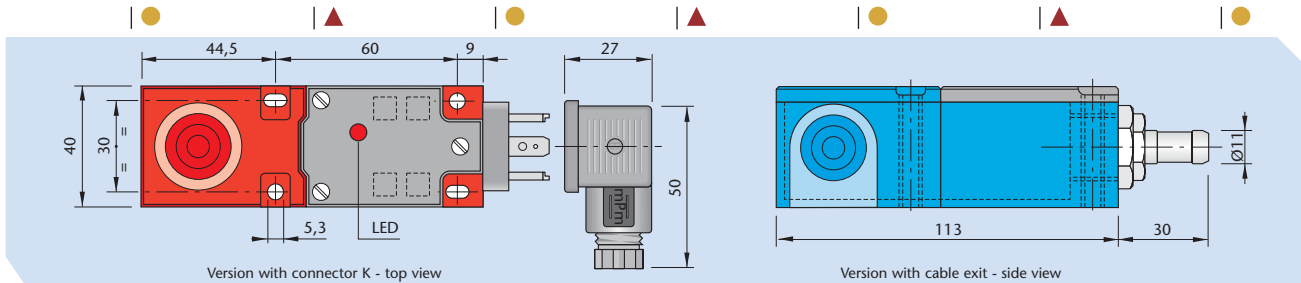


# RECTANGULAR INDUCTIVE SENSORS SIP 40



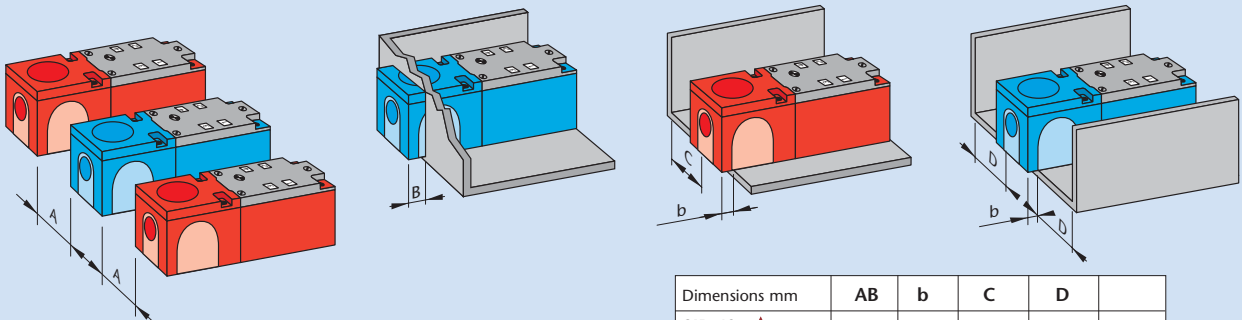
2 WIRES D.C.  
CONFORMING TO EN 50044  
VERSION-B

2 WIRES A.C.  
CONFORMING TO EN 50037 EN 50044  
VERSION-A



2 WIRES D.C. CONFORMING TO EN 50044 VERSION-B				2 WIRES A.C. CONFORMING TO EN 50037 EN 50044 VERSION-A			
SIP40-B15 NO/NC	SIP40-BE20 NO/NC	SIP40-B15 NO/NC K	SIP40-BE20 NO/NC K	SIP40-A15 NO/NC	SIP40-AE20 NO/NC	SIP40-A15 NO/NC K	SIP40-AE20 NO/NC K
15	20	15	20	15	20	15	20
10 ÷ 55				20 ÷ 250			
< 10%				< 10%			
300				12			
≤ 3				≤ 3			
100				300			
1.5				5			
				1.5			
< 0.6				< 1			
< 6.5				< 6			
Incorporated				Incorporated			
Incorporated				Incorporated			
- 25 ÷ + 70				- 25 ÷ + 70			
65 (Cable version IP67)				65 (Cable version IP67)			
Red plastic				Blue plastic			
Terminal block		K (type 12)		Terminal block		K (type 12)	

## INSTRUCTIONS FOR CORRECT INSTALLATION



• The installation example makes reference to the areas marked red.

Dimensions mm	AB	b	C	D	
SIP 40 ▲	≥30	≥6	≥0	≥0	≥0
SIP 40 ●	≥50	≥40	≥15	≥10	≥15

To locate additional product specifications and technical drawings go to [www.asi-ez.com](http://www.asi-ez.com)