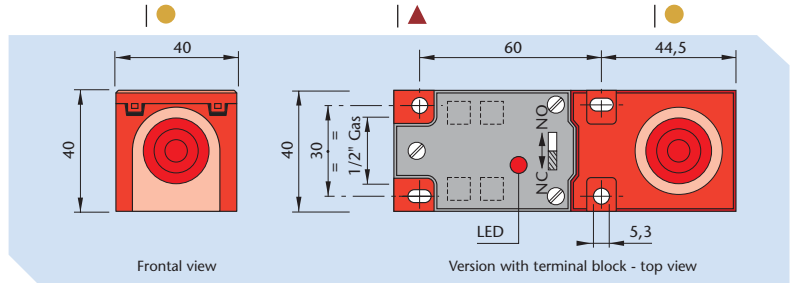


RECTANGULAR INDUCTIVE SENSORS SIP40



4 WIRES D.C.
CONFORMING TO EN 50025 - EN 50044
VERSION-C

- ▲ **EMBEDDABLE** (FLUSH MOUNTING)
- **NOT EMBEDDABLE** (NON FLUSH MOUNTING)

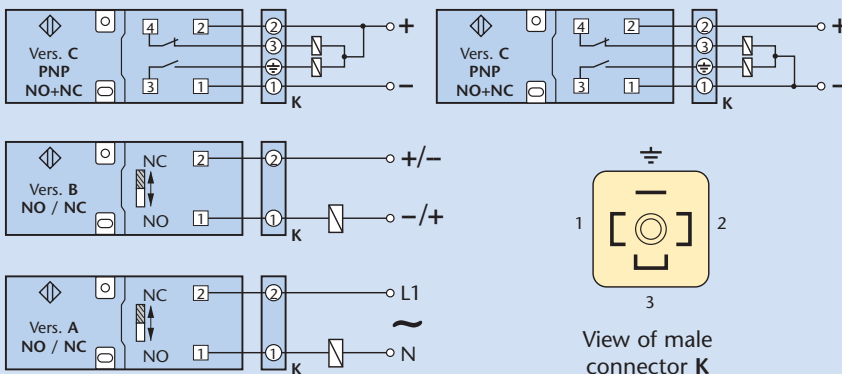


TECHNICAL CHARACTERISTICS

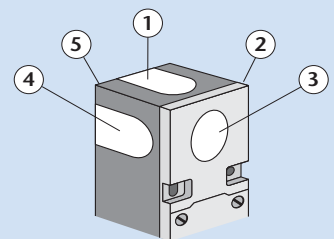
Dimensions mm

AMPLIFIED 4 WIRES D.C. ANTI PHASE	NPN	NO+NC	SIP40 - C15 NPN NO + NC	SIP40 - CE20 NPN NO + NC	SIP40 - C15 NPN NO + NC K	SIP40 - CE20 NPN NO + NC K
	PNP	NO+NC	SIP40 - C15 PNP NO + NC	SIP40 - CE20 PNP NO + NC	SIP40 - C15 PNP NO + NC K	SIP40 - CE20 PNP NO + NC K
AMPLIFIED 2 WIRES D.C. PROGR.		NO/NC				
AMPLIFIED 2 WIRES A.C. PROGR.		NO/NC				
Switching distance Sn		mm	15	20	15	20
Continuous voltage (residual ripple ≤10%)		V	10 ÷ 55			
Alternating voltage 50÷60 Hz		V				
Hysteresis (%Sn)		mm	< 10%			
Switching frequency		Hz	300			
Repeatability		% of Sn	≤ 3			
Max output current		mA	200			
Min output current		mA				
Max peak current for 20 mS		A				
Absorption at 24Vdc		mA	< 10			
Residual current		mA				
Voltage drop (sensor ON)		V	< 1.8			
Short circuit protection			Incorporated			
Led			Incorporated			
Temperature limits		°C	- 25 ÷ + 70			
Degree of protection		IP	65 (Cable version IP67)			
Housing			Red plastic			
Type of connection			Terminal block			
Connector plug					K (type 12)	

TYPES OF CONNECTIONS WITH TERMINAL BLOCK OR CONNECTOR K (type 12 - page 85)



ADJUSTABLE SENSITIVITY



NOTE: In the SIP 40 sensor the oscillator is contained in a module which clips into the body whose surface can then be sensitive on five different positions. The surface chosen can be identified by applying the circular adhesive label.

To locate additional product specifications and technical drawings go to www.asi-ez.com