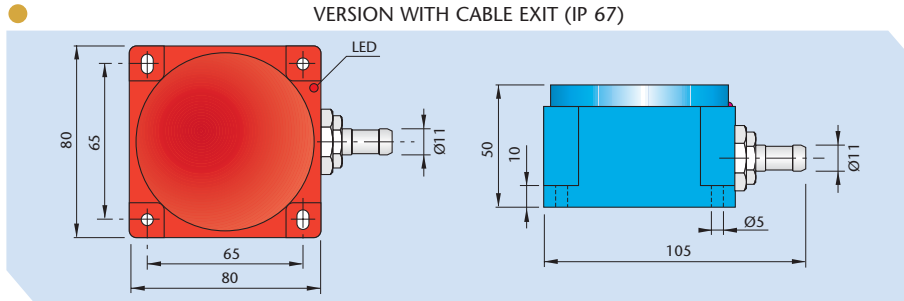


# RECTANGULAR INDUCTIVE SENSORS SIQ 80



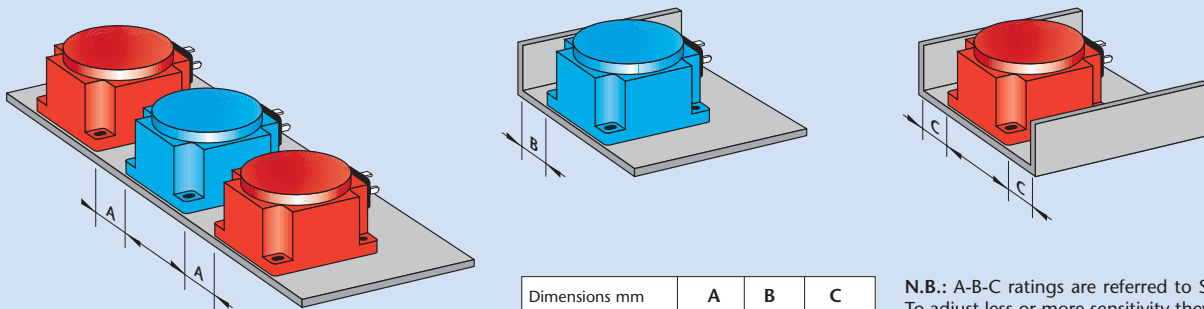
2 WIRES D.C.  
CONFORMING TO EN 50044  
VERSION-B

2 WIRES A.C.  
CONFORMING TO EN 50044  
VERSION-A



SIQ 80 - BE50 NO	PROGRAMMABLE	SIQ 80 - AE50 NO	PROGRAMMABLE
SIQ 80 - BE50 NC	SIQ 80 - BE50 NO/NC K	SIQ 80 - AE50 NC	SIQ 80 - AE50 NO/NC K
10 ÷ 60 (sensitivity adjustable)		10 ÷ 60 (sensitivity adjustable)	
10 ÷ 55		20 ÷ 250	
< 10% (Sn = 50 mm)		< 10% (Sn = 50 mm)	
50		12	
≤ 3		≤ 3	
100		300	
1.5		5	
		1.5	
< 0.6		< 1	
< 6.5		< 6	
Incorporated		Incorporated	
Incorporated		- 25 ÷ + 70	
- 25 ÷ + 70		- 25 ÷ + 70	
67	65	67	65
Red plastic		Blue plastic	
2 x 0.50 mm <sup>2</sup>		2 x 0.50 mm <sup>2</sup>	
	K (type 12)		K (type 12)

## INSTRUCTIONS FOR CORRECT INSTALLATION



Dimensions mm	A	B	C
SIQ 80	≥450	≥45	≥70

N.B.: A-B-C ratings are referred to Sn = 35 mm. To adjust less or more sensitivity they either must be decreased or increased.

To locate additional product specifications and technical drawings go to [www.asi-ez.com](http://www.asi-ez.com)