

NAMUR INDUCTIVE SENSORS



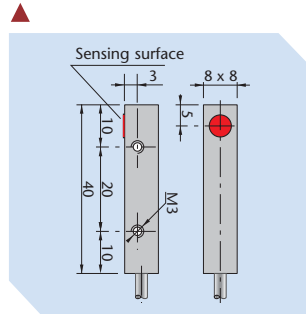
RECTANGULAR HOUSING SIPA8 - SIPC8 - SIP10 - SIP12 - SIP17 - SIP40 - SIQ80
2 WIRES D.C. - VERSION N

- ▲ **EMBEDDABLE** (FLUSH MOUNTING)
- **NOT EMBEDDABLE** (NON FLUSH MOUNTING)

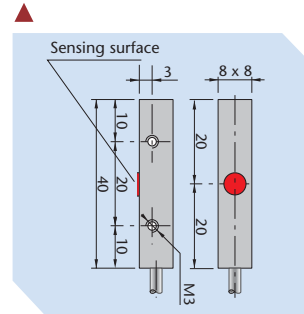
TECHNICAL CHARACTERISTICS

Dimensions mm

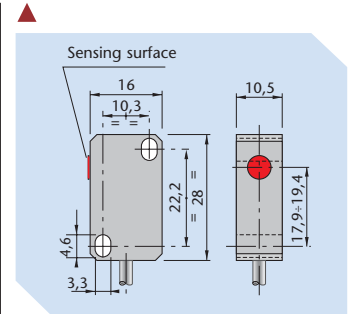
MODELS WITH CABLE



SIP A8 - N1.5

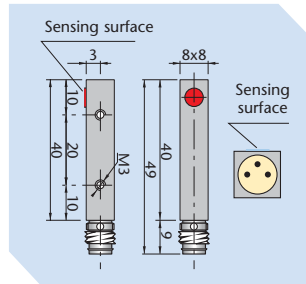


SIP C8 - N1.5

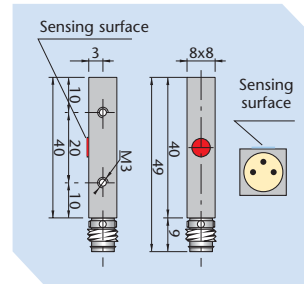


SIP 10 - N2

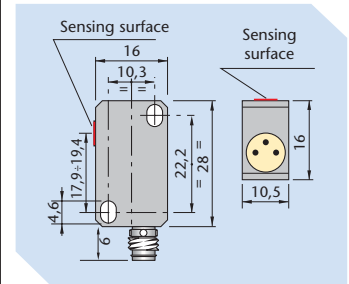
MODELS WITH CONNECTOR



SIP A8 - N1.5 H1



SIP C8 - N1.5 H1

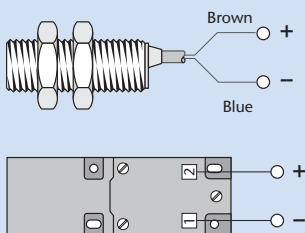


SIP 10 - N2 H1

Switching distance (Sn)	mm	1.5	1.5	2
Continuous voltage (residual ripple ≤10%)	V	8,2 ("5 ÷ 30" see note 1 at page 6)		
Absorption current at 8.2V	mA	In presence of metal ≤ 1 mA - In absence of metal ≥ 3 mA		
Switching frequency	Hz	2000	2000	1000
Repeatability	% of Sn	≤ 3		
Temperature limits	°C	-25 ÷ +70		
Degree of protection	IP	67 (With H1 depending on connector)		
Housing		Anodized aluminium		Plastic
Cable PUR blue	2 m	2 x 0.25 mm ²	2 x 0.25 mm ²	2 x 0.25 mm ²
Connector plug		H1	H1	H1

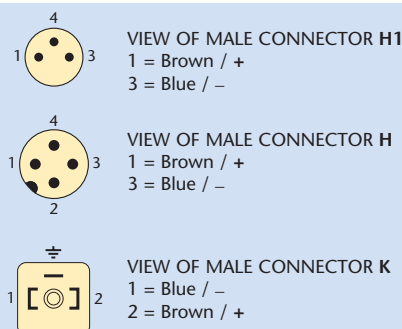
NAMUR DIN 19234 - EEx ia IIc T4 - NAMUR DIN 19234 - EEx ia IIc T4 - NAMUR DIN 19234 - EEx ia IIc T4 - NAMUR DIN 19234 - EEx ia IIc T4 -

WIRING DIAGRAMS WITH CABLE OR TERMINAL BLOCK

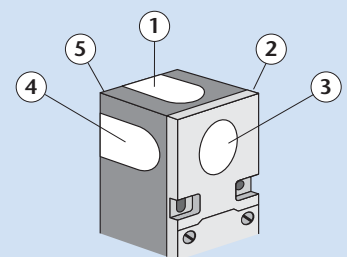


N.B.: On request is available cable for sensors with different length 3.5 - 7.5 - 5 - 10 metres.

CONNECTION WITH H1 - H - K PLUG FOR THE CONNECTORS SEE PAGE 85



ADJUSTABLE SENSITIVITY SIP 40



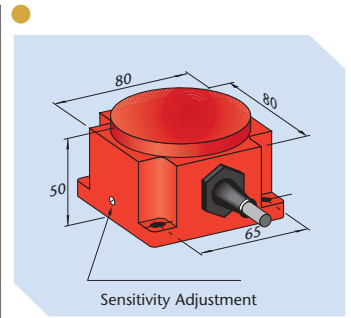
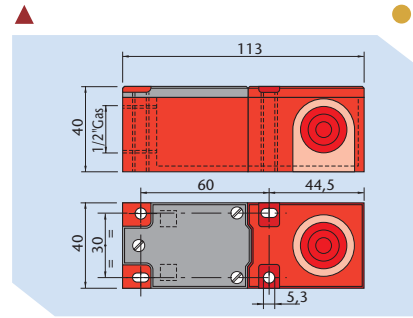
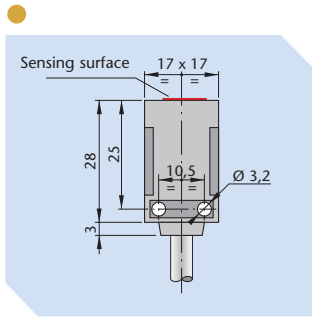
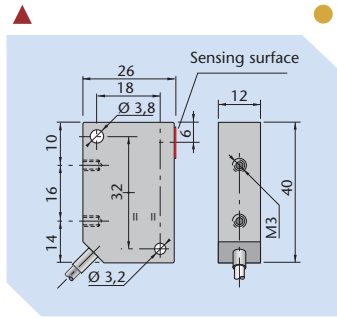
NOTE: In the SIP 40 sensor the oscillator is contained in a module which clips into the body whose surface can then be sensitive on five different positions. The surface chosen can be identified by applying the circular adhesive label.

To locate additional product specifications and technical drawings go to www.asi-ez.com

NAMUR INDUCTIVE SENSORS



CONFORMING TO NAMUR STANDARDS (DIN 19234)
APPROVAL **EEx ia IIc T4***

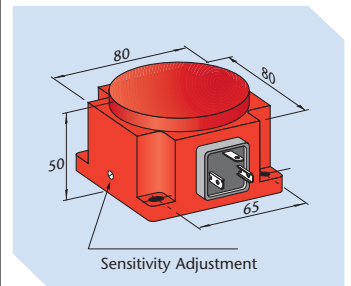
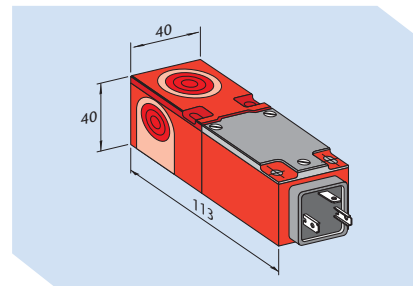
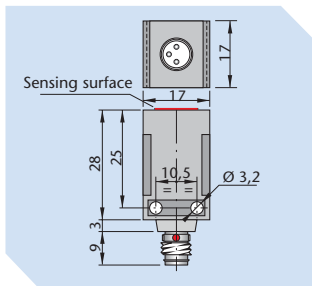
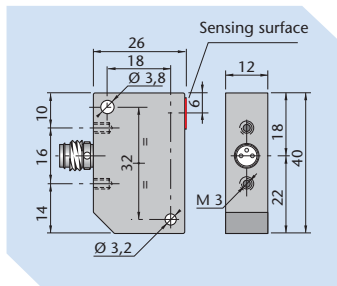


SIP 12 - N2 | SIP 12 - NE4

SIP 17 - NE5

SIP 40 - N15 | SIP 40 - NE20

SIQ 80 - NE50



SIP 12 - N2 H1 | SIP 12 - NE4 H1

SIP 17 - NE5 H1

SIP 40 - N15 K | SIP 40 - NE20 K

SIQ 80 - NE50 K

2

4

5

15

20

10 ÷ 60 (Adjustable)

8,2 ("5 ÷ 30" see note 1 at page 6)

In presence of metal ≤ 1 mA - In absence of metal ≥ 3 mA

2000

2000

500

100

≤ 3

-25 ÷ +70

67 (With H1 depending on connector)

65 (IP67 with cable)

Plastic

2 x 0.25 mm²

2 x 0.50 mm²

Terminal block (On request cable)

2 x 0.50 mm²

H1

H1

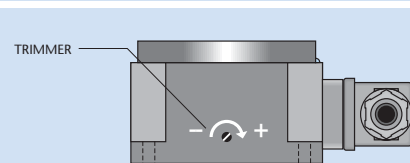
K

K

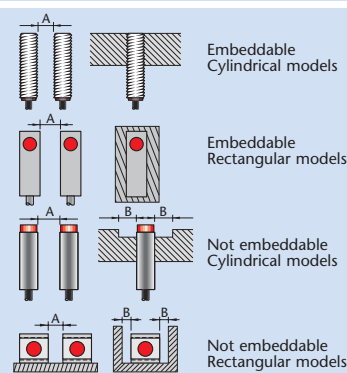
- NAMUR DIN 19234 - EEx ia IIc T4 - NAMUR DIN 19234 - EEx ia IIc T4 - NAMUR DIN 19234 - EEx ia IIc T4 - NAMUR DIN 19234 - EEx ia IIc T4 -

SENSITIVITY ADJUSTMENT

INSTRUCTIONS FOR CORRECT INSTALLATION



This sensor is supplied with a trimmer for the sensitivity adjustment. The sensitivity increases when the trimmer is rotated in the clockwise direction and decreases in the anti-clockwise direction. Avoid using for a capacity greater than 60 mm referred to a square piece of (FE 37) steel of 1 mm thickness the side of which is equal to 100 mm. When setting the sensor keep in consideration all other metallic objects nearby, in fact setting is suggested to be made when the sensor is installed in the normal working conditions. The sensor is supplied already pre-set to 50 mm sensitivity.



	(A) mm	(A) mm	(B) mm
SI 6.5	≥ 4	≥ 16	≥ 8
SI 8	≥ 4	≥ 16	≥ 8
SI 12	≥ 6	≥ 24	≥ 12
SI 14	≥ 7	≥ 28	≥ 14
SI 18	≥ 9	≥ 36	≥ 18
SI 30	≥ 15	≥ 60	≥ 30
SIP A8	≥ 2	-	-
SIP C8	≥ 2	-	-
SIP 10	≥ 10	-	≥ 0
SIP 12	≥ 6	≥ 12	≥ 6
SIP 17	-	≥ 20	≥ 6
SIP 40	≥ 30	≥ 50	≥ 15
SIQ 80	-	≥ 450	≥ 70

N.B. A = Mutual interference - B = Interference with metallic part

* See page 7 - Applications

To locate additional product specifications and technical drawings go to www.asi-ez.com