

MICROPROCESSOR-BASED SLOT SENSORS FOR LABELLING AND PACKAGING



- *High 25 kHz switching frequency*
- *IR or red/green light models*
- *Detection of semi-transparent labels*
- *Detection of register marks on transparents*
- *4 wire antivalent NPN and PNP output*

SR21 SERIES

The slot sensors of the **SR21** series, with 2 mm slot width, are characterised by a high 12 bit (4096 steps) resolution, a low 20 μ s response time and a switching frequency reaching 25 kHz.

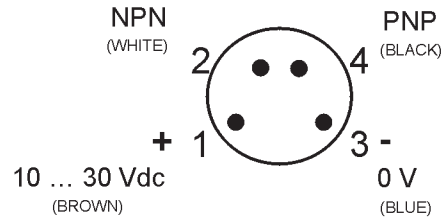
The setting of the switching threshold is carried-out automatically by simply pressing a push-button, or dynamically during label (or other reference) movement.

The **SR21-IR** model with infrared emission is ideal for label or hole detection on continuous surfaces, while the **SR21-RG** model with double red or green emission suits colour print register mark detection on transparent films for automatic packaging.

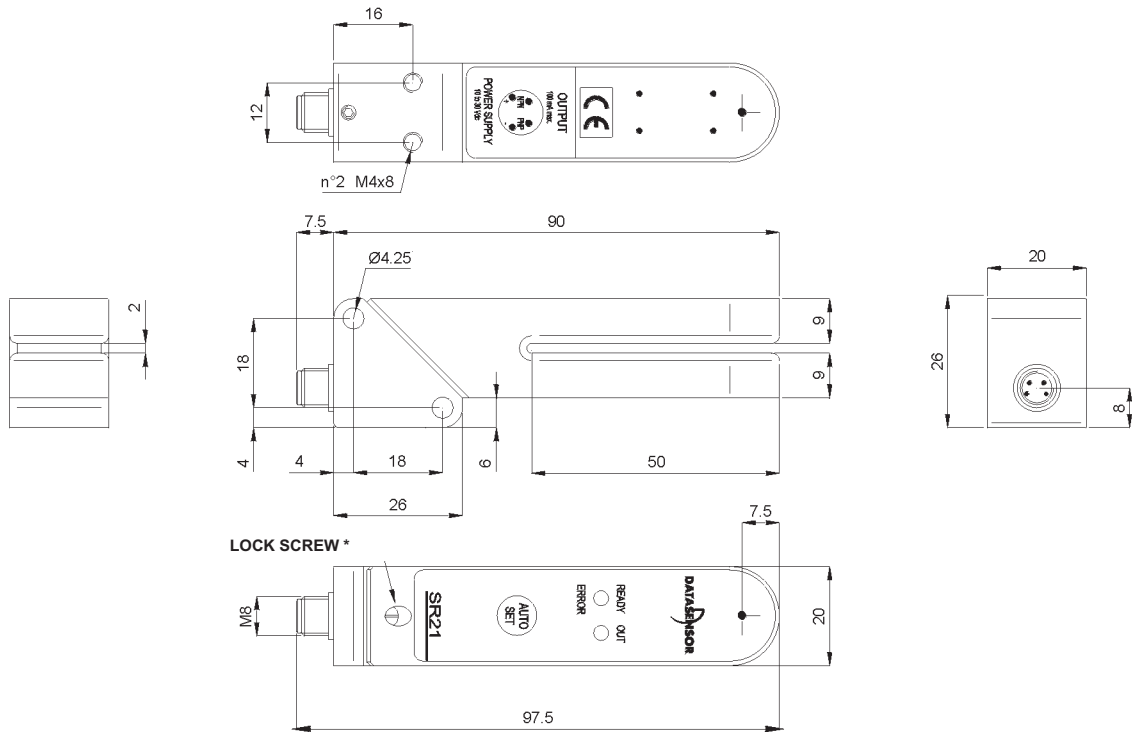
TECHNICAL DATA

Power supply:	10 ... 30 Vdc, reverse polarity protection
Consumption:	55 mA max.
Light emission:	infrared LED 880 nm (IR vers.) red 635 nm/green LED 535 nm (RG vers.)
Resolution:	0.5 mm
Slot width:	2 mm
Slot depth:	50 mm
Detection point depth:	7.5 mm
Setting:	AUTO SET push-button
Indicators:	yellow OUTPUT LED green/red bicolour READY/ERROR LED
Output type:	NPN and PNP, Rpull-down/up 10 k Ω
Saturation voltage:	2 V max.
Output current:	100 mA max., short-circuit protection
Response time:	20 μ s max.
Switching frequency:	25 kHz
Operating mode:	dark/light configurable
Connection:	M8 4-pole connector
Electrical protection:	class 1
Mechanical protection:	IP65
Housing material:	ZAMA
Lens material:	glass
Weight:	120 g max.
Operating temperature:	-20 ... +60°C
Storage temperature:	-20 ... +70°C
Reference standard:	EN 60947-5-2
Certifications:	CE

CONNECTIONS



DIMENSIONS



* the M8 connector block can be rotated to 90°

MODEL SELECTION AND ORDER INFORMATION

MODEL	EMISSION	FREQUENCY	ORDER N°
SR21-IR	infrared	25 KHz	953151070
SR21-RG	red/green	25 KHz	953151080

SLOT SENSORS



www.asi-ez.com
877-650-5160
PO BOX 1340, Mechanicsburg PA 17055