

Fuse-holders

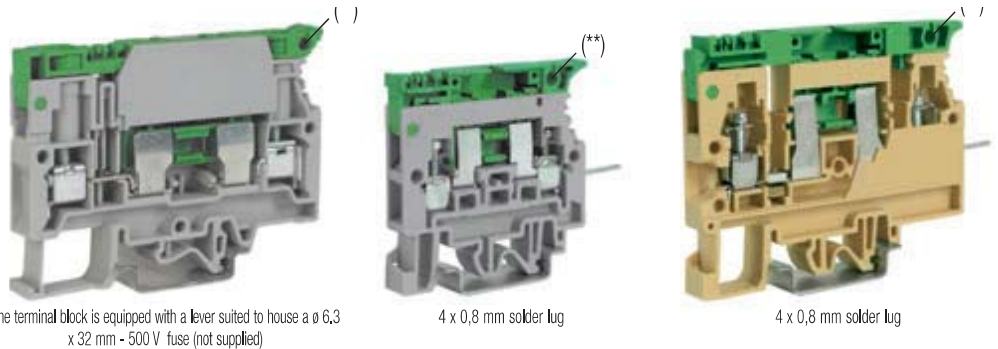
with UL94V-0 polyamide insulating body

- for \varnothing 5 x 20 mm fuses, with possibility to detect the fuse blow-out status, by means of a LED micro-circuit (CIL...)
- standard versions available in grey RAL 7042 and beige RAL 1001 colours (where indicated)
- for \varnothing 6.3 x 32 mm fuses
- with solder lug
- universal mounting onto both PR/DIN and PR/3 type rails - according to IEC 60715 Std., "G32" and "TH/35" types

Please, see page 136 (table) to determine the insulation voltage of the different PTC connection diagrams

The /GR tag indicates the grey colour version.

grey version	
beige version	
(Ex)i version	
TECHNICAL CHARACTERISTICS	
function / type	
rated cross-section	(mm ²)
connecting capacity	
flexible	(mm ²)
rigid	(mm ²)
max. flexible with ferrule (mm ²)-ferrule type	
rated voltage / rated current / gauge	conf. to IEC 60947-7-1
rated voltage / rated current / AWG / tightening torque value	UL (Ex e) rated voltage /
rated impulse withstand voltage / pollution degree	(V)
insulation stripping length	(mm)
tightening torque value (test / max)	(Nm)
height / width / thickness	TH/35 7,5 mm
height / width / thickness	TH/35 15 mm
height / width / thickness	G32



The terminal block is equipped with a lever suited to house a \varnothing 6,3 x 32 mm - 500 V fuse (not supplied)

4 x 0,8 mm solder lug

4 x 0,8 mm solder lug

Max. dissipated power – In conf. with IEC 60947-7-3						
Terminal block	Voltage [V] (*)	Current [A]	Protection against overload and short circuit		Only protection against short circuit	
			Single configuration (PV) - [W]	Composite configuration (PV) - [W]	Single configuration (PV) - [W]	Composite configuration (PV) - [W]
SFR.6	250	10	2,5 (2,5 A)	1,6 (1 A)	4 (10 A)	2,5 (2,5 A)
SFR.4	250	6,3	2,5	1,6	2,5	2,5
SFO.4	250	6,3	2,5	1,6	4	2,5

(*) value referred to the insulation characteristics of the terminal block – (**) all terminal blocks are equipped with a hole suited for the sealing of the lever or for the insertion of a rod for the simultaneous opening of the lever of adjoining terminal blocks – (***) neon bulb

SFR.6/GR		SFR.4/VS/GR		SFO.4/VS	
Cat. No.	SR300GR	Cat. No.	SF910GR	Cat. No.	SF410
SFR.6		SFR.4/VS		SFO.4/VS	
Cat. No.	SR300	Cat. No.	SF910	Cat. No.	SF410
for fuses		for fuses with solder lug		for fuses with solder lug	
6		4		4	
0,2 ÷ 10		0,2 ÷ 6		0,2 ÷ 6	
0,2 ÷ 10		0,2 ÷ 6		0,2 ÷ 6	
6 - WP60/20		4 - WP40/16		4 - WP40/16	
630 V (*) / 10 A (33 A with brass cylinder) / A5		400 V (*) / 6,3 A max (15 A with CO/5) / A4		400 V (*) / 6,3 A max (15 A with CO/5) / A4	
600 V / 10 A / 20-8 AWG / 13 lb.in		-		-	
-		-		-	
6 kV (*) / 3		4 kV (*) / 3		4 kV (*) / 3	
11		11		11	
0,8 / 1,4		0,5 / 1,2		0,5 / 1,2	
59 / 79 / 10		52 / 65 / 8		59 / 85 / 8	
67 / 79 / 10		60 / 65 / 8		67 / 85 / 8	
63 / 79 / 10		56 / 65 / 8		63 / 85 / 8	

APPROVALS



other approvals referred to the standard version



other approvals referred to the standard version

ACCESSORIES	
End sections	grey beige blue
Permanent cross connection (pre-assembled) (***) intrinsically IPXXB protected once mounted	
Rated current carrying capacity of jumper	(A)
Cross-connection identification strip (100 mm)	green
Multiple common bar	250 mm
Shunting screw and sleeve	
Coloured partition	red, green, white
Cross connection barrier	red
Test plug socket	
Test plug	
Numbering strip	
Miniature fuse	\varnothing 5 x 20 mm
LED circuit composed by:	non-polarised
- 2 contacts	
- 1 microcircuit or bulb	
- 1 transparent cover - to be inserted in such a sequence	
Marking tag	printed or blank
End bracket	
Mounting rail according to IEC 60715 Std.	

Type	Cat. No.
SFR.6/PT/GR	SR301GR
SFR.6/PT	SR301
SFR.6/PT (Ex)i	SR401
PTC/20/02 poles (***)	PTC2002
PTC/20/03 poles (***)	PTC2003
PTC/20/05 poles (***)	PTC2005
PTC/20/10 poles (***)	PTC2010
PTC/20/00 (25 poles) (***)	PTC2000
25	
PTC/SP	PTC0990
-	
DFU/7	DU07..
DFM/300	DF300
-	
SDD/1	DD001
-	
-	
KITLSN/12-24	KIT1224
KITLSN/70-380	KIT70380
CNU/8/51	NU0851
BTU for PR/DIN and PR/3	BT005
BT/DIN/PO for PR/DIN only	BT001
BT/3-BTO for PR/3 only	BT003-BT007
PR/DIN/AC of steel	PR001
PR/DIN/AS same with slots	PR004
PR/DIN/AL of aluminium	PR002

Type	Cat. No.
-	
SFR.4/PT	SR701
-	
-	
-	
-	
DFU/3	DU03..
-	
-	
-	
F5	FN...
CIL/12	SF512
CIL/24	SF524
CIL/48	SF548
CIL/115	SF515
CIL/230	SF523
CNU/8/51	NU0851
BTU for PR/DIN and PR/3	BT005
BT/DIN/PO for PR/DIN only	BT001
BT/3-BTO for PR/3 only	BT003-BT007
PR/DIN/AC of steel	PR001
PR/DIN/AS same with slots	PR004
PR/DIN/AL of aluminium	PR002

Type	Cat. No.
-	
SFO/PT	SF401
-	
PM/90/2 poles	PM902
PM/90/3 poles	PM903
PM/90/5 poles	PM905
PM/90/10 poles	PM900
25	
-	
PMP/20	PMP20
-	
DFU/7	DU07..
-	
SDD/1	DD001
CNU/8/51	NU0851
F5	FN...
CIL/12	SF512
CIL/24	SF524
CIL/48	SF548
CIL/115	SF515
CIL/230	SF523
CNU/8/51	NU0851
BTU for PR/DIN and PR/3	BT005
BT/DIN/PO for PR/DIN only	BT001
BT/3-BTO for PR/3 only	BT003-BT007
PR/DIN/AC of steel	PR001
PR/DIN/AS same with slots	PR004
PR/DIN/AL of aluminium	PR002