

EMC LOCKNUTS

Nickel Plated Brass

20N3

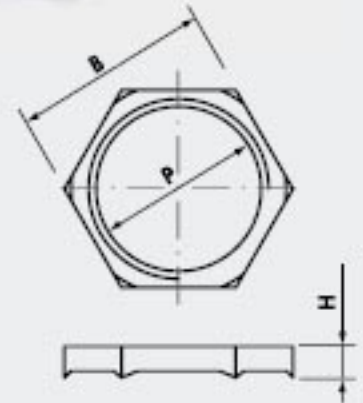


EMC Locknuts

Material: NICKEL PLATED BRASS (CuZn 40 Pb 3)

Metric thread M 1.5 pitch CEI EN 60423

Ref. Nickel Plated Brass	P	B Spanner (mm)	H (mm)	Quantity Box/Bag
20N3M12N	M12X1,5	15	4,1	1.000/100
20N3M16N	M16X1,5	19	4,2	1.000/100
20N3M20N	M20X1,5	24	4,2	600/100
20N3M25N	M25X1,5	30	4,8	400/100
20N3M32N	M32X1,5	36	5,4	200/100
20N3M40N	M40X1,5	46	6,2	100/50
20N3M50N	M50X1,5	60	7	50/50
20N3M63N	M63X1,5	70	7	50/25



MAXinox LOCKNUTS

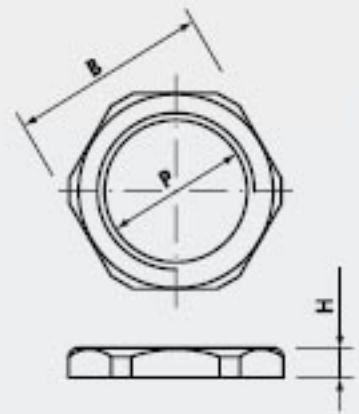
Stainless Steel 303 (X 12 Cr Ni S 18.8)

Stainless Steel 316L (X 2 Cr Ni Mo 18.10)

7032
7033

Pg thread DIN 40 430 - Dimensions DIN 46 320

Stainless Steel AISI 303	Stainless Steel AISI 316L	P	B Spanner (mm)	H (mm)	Quantity
7032007	7032A007	Pg 7	16	2,8	100
7032009	7032A009	Pg 9	20	2,8	100
7032011	7032A011	Pg11	22	3	100
7032013	7032A013	Pg13,5	22	3	50
7032016	7032A016	Pg16	27	3	50
7032021	7032A021	Pg21	32	3,5	50
7032029	7032A029	Pg29	41	4	10
7032036	7032A036	Pg36	50	5	10
7032042	7032A042	Pg42	60	5	10
7032048	7032A048	Pg48	64	5,5	10



Metric thread M 1.5 pitch CEI EN 60423

Stainless Steel AISI 303	Stainless Steel AISI 316L	P	B Spanner (mm)	H (mm)	Quantity
7033M12	7033AM12	M12X1,5	16	2,8	100
7033M16	7033AM16	M16X1,5	20	2,8	100
7033M20	7033AM20	M20X1,5	24	3,5	50
7033M25	7033AM25	M25X1,5	29	4	50
7033M32	7033AM32	M32X1,5	36	4	50
7033M40	7033AM40	M40X1,5	45	5	10
7033M50	7033AM50	M50X1,5	57	5	10
7033M63	7033AM63	M63X1,5	70	5,5	10