

### Three-pole switch disconnectors



GA040 D



GA080 D  
GA125 D

Order code	Conventional free air thermal current Ith	Rated operational current Ie			Qty per pkg	Wt [kg]
		4 p	6 p	8 p		
		DC21B (800V) Poles in series				
[A]	[A]	[A]	[A]	[A]	n°	[kg]

Direct operating version, complete with black handle.  
For door-coupling version, separately order the handle and shaft extension; refer to page 2-8 and 2-9.

<b>GA040 D</b>	40	15	25	35	1	0.135
<b>GA080 D</b>	80	18	30	40	1	0.355
<b>GA125 D</b>	125	20	35	45	1	0.355

### Fourth pole add-on



GAX42...D

Simultaneous closing operation as switch poles.  
For GA...D versions.

<b>GAX42 040D</b>	40	—	—	—	1	0.040
<b>GAX42 080D</b>	80	—	—	—	1	0.110
<b>GAX42 125D</b>	125	—	—	—	1	0.110

### UTILISATION IN DC21B CATEGORY

Operational voltage Ue [V]	Maximum operational current in a configuration with:		
	[A]	[A]	[A]

#### 3 POLES IN SERIES.

Products to purchase and fit together	GA040 D	GA080 D	GA125 D
48	40	80	125
110	35	70	120
220	32	40	95

#### 4 POLES IN SERIES.

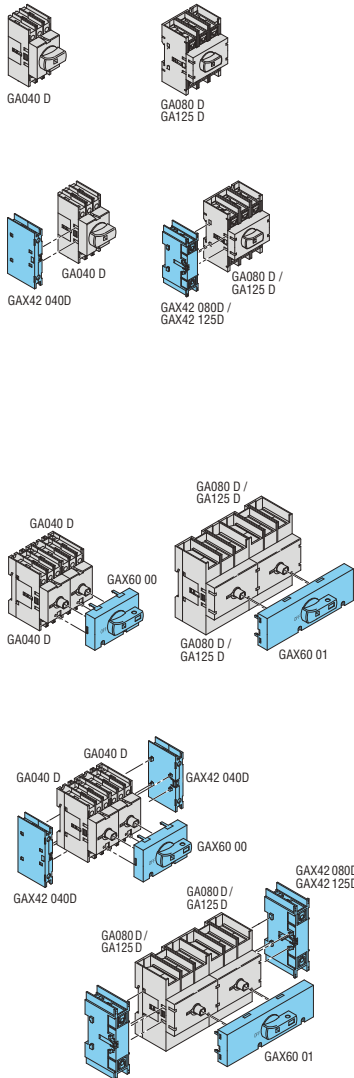
Products to purchase and fit together	GA040 D + GAX42 040D	GA080 D + GAX42 080D	GA125 D + GAX42 125D
400	35	40	64
440	32	40	64
500	32	40	56
600	20	30	40
700	15	18	20
750	15	18	20
800	15	18	20

#### 6 POLES IN SERIES.

Products to purchase and fit together	GA040 D + GA040 D + GAX60 00	GA080 D + GA080 D + GAX60 01	GA125 D + GA125 D + GAX60 01
600	35	40	45
700	25	30	35
750	25	30	35
800	25	30	35
<b>1000</b>	<b>10</b>	<b>20</b>	<b>25</b>

#### 8 POLES IN SERIES.

Products to purchase and fit together	GA040 D + GA040 D + GAX42 040D + GAX42 040D + GAX60 00	GA080 D + GA080 D + GAX42 080D + GAX42 080D + GAX60 01	GA125 D + GA125 D + GAX42 125D + GAX42 125D + GAX60 01
700	35	40	45
750	35	40	45
800	35	40	45
<b>1000</b>	<b>25</b>	<b>30</b>	<b>32</b>



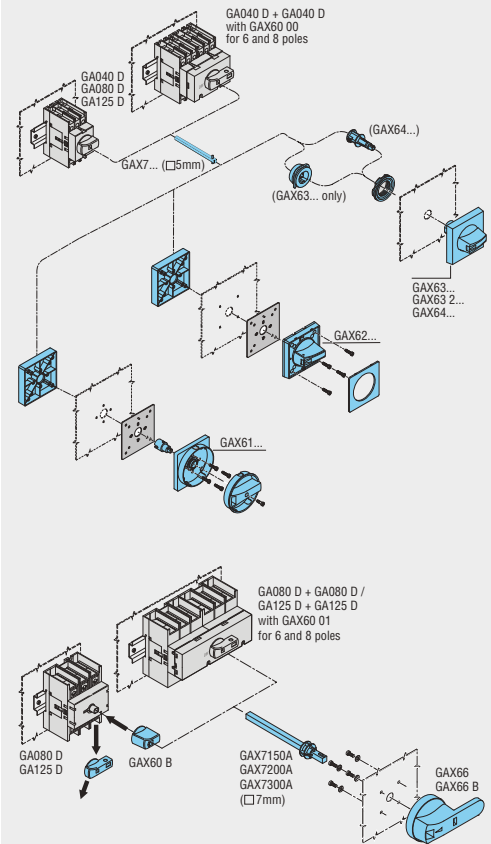
### General characteristics

- 40A to 125A ratings
- Available versions:
  - direct operating
  - door coupling version. Use switch disconnector with direct actuator and separately order the handle and shaft extension for this version. See page 2-8.
- Screw or 35mm DIN (IEC/EN 60715) rail fixing
- Padlockable in 0 position with no extra accessory.

### Operational characteristics

- Rated insulation voltage Ui: 1000V
- Rated impulse withstand Uimp: 8kV
- Mechanical life:
  - 100,000 cycles for GA040 D
  - 30,000 cycles for GA080 D and GA125 D.

Transformation of direct operating version into door coupling type



### Certifications and compliance

Certifications obtained: GOST; cULus (to UL508/CSA C22.2 n° 14 for GA040 D and GAX42 040D; to UL98/CSA C22.2 n° 4 for GA080 D, GA125 D, GAX42 080D and GAX42 125D).  
Compliant with standards: IEC/EN 60947-1, IEC/EN 60947-3, UL508, UL98, CSA C22.2.