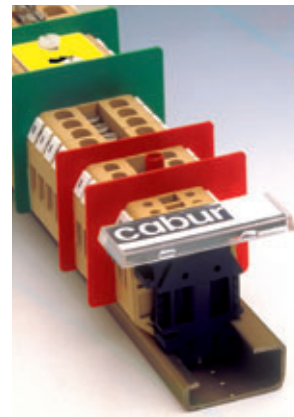
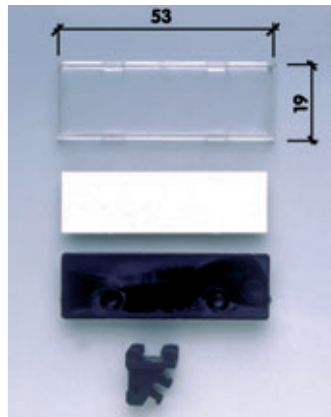
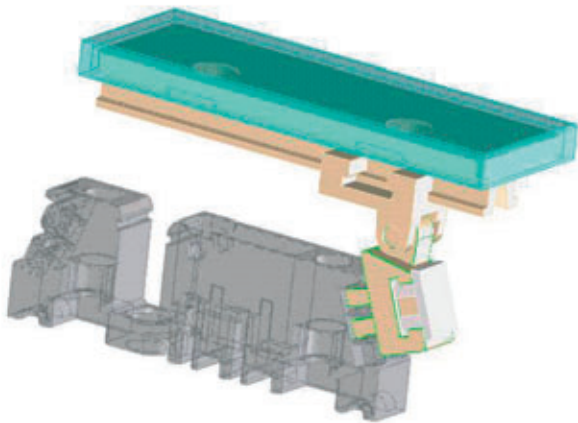


TIM identification plate

Cat.No. TIM02

Identification plates for groups of terminal blocks supplied with blank tag and transparent cover

The special support, to be inserted in the tag-holders of the terminal blocks and of end brackets type: BT/DIN/PO-BT/3-BTU, allows optimal positioning of the tag itself.



To locate additional product specifications and technical drawings go to www.asi-ez.com