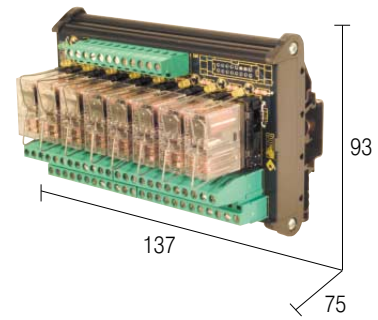
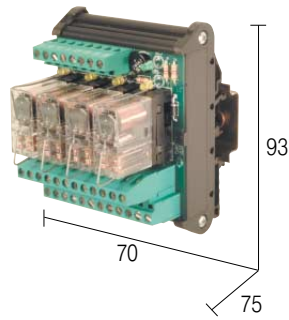


DPDT AC/PC Multi-relay modules

- DC and AC control voltage
- Positive or negative control voltage



BLOCK DIAGRAMS / NOTES

(1) Relay model is not binding, they may be modified without prior warning. The technical data reported refer to the user relays, for more detail see pages 68 through 73.

(2) Available upon request.

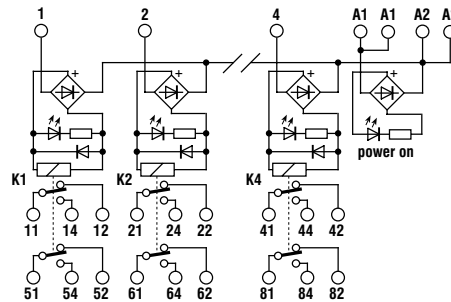
POWER SUPPLY

A1 = +	A2 = -	negative common
A1 = -	A2 = +	positive common

VERSION

Pluggable relay
Socket without relay

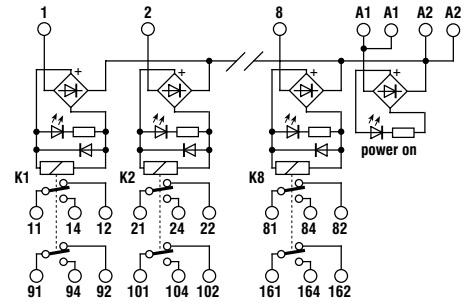
Block diagram



R42EAD

Cod. XR042EAD

(2)



R82EAD

Cod. XR082EAD

(2)

INPUT TECHNICAL DATA

Rated voltage	24 Vac / dc \pm 10%
Rated current (1 channel)	25 mA \pm 10%
Turn ON time	15 ms
Turn OFF time	5 ms
Terminals / connectors	terminal blocks 2.5 mm ²

Rated voltage	24 Vac / dc \pm 10%
Rated current (1 channel)	25 mA \pm 10%
Turn ON time	15 ms
Turn OFF time	5 ms
Terminals / connectors	terminal blocks 2.5 mm ²

OUTPUT TECHNICAL DATA

Type and number of contact	DPDT x 4 relay
Rated voltage	250 Vac
Rated current	5 A
Current breaking power	5 A
Terminals / connectors	terminal blocks 2.5 mm ²
Isolation between output terminals	1 kVac / 60 s

Type and number of contact	DPDT x 8 relay
Rated voltage	250 Vac
Rated current	5 A
Current breaking power	5 A
Terminals / connectors	terminal blocks 2.5 mm ²
Isolation between output terminals	1 kVac / 60 s

GENERAL TECHNICAL DATA

Operating temperature	- 10 – 50°C
Coil / contact isolation	2.5 kVac / 60 s
Protection degree	IP 00
Reference standards	IEC 664-1, DIN VDE 0110.1
Pollution degree	2
Overvoltage category	3
Relay model (1)	OMRON G2R-2, NAIS JW2FSN, FINDER 40.52
Status display	

Operating temperature	- 10 – 50°C
Coil / contact isolation	2.5 kVac / 60 s
Protection degree	IP 00
Reference standards	IEC 664-1, DIN VDE 0110.1
Pollution degree	2
Overvoltage category	3
Relay model (1)	OMRON G2R-2, NAIS JW2FSN, FINDER 40.52
Status display	

Housing material	LED polyamide UL94V-0
Approximative weight	227 g
Mounting information	adjacent without gap
Mounting rail	PR/3/AC - PR/3/AS

Mounting rail according to IEC60715/TH35	
Mounting rail according to IEC60715/G32	
	PR/DIN/AC - PR/DIN/AS - PR/DIN/AL

Housing material	LED polyamide UL94V-0
Approximative weight	427 g
Mounting information	adjacent without gap
Mounting rail	PR/3/AC - PR/3/AS
Mounting rail according to IEC60715/TH35	
Mounting rail according to IEC60715/G32	
	PR/DIN/AC - PR/DIN/AS - PR/DIN/AL