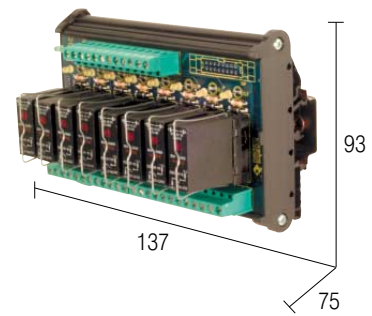
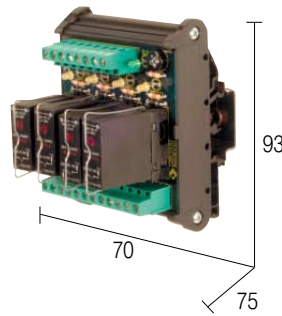


Single solid state relay modules

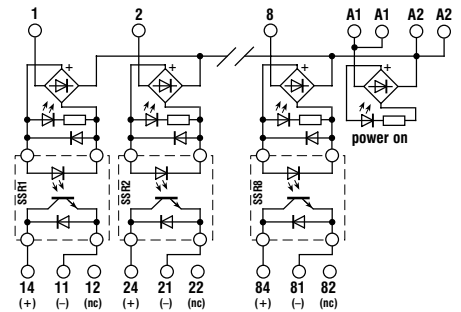
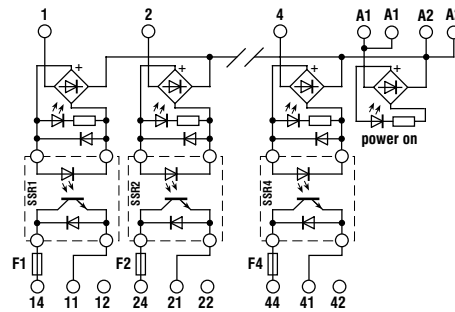
- For DC load (S version)



BLOCK DIAGRAMS / NOTES

(1) Relay model is not binding, they may be modified without prior warning. The technical data reported refer to the user relays, for more detail see pages 82 through 83.

Block diagram



VERSION

Pluggable relay
Fixed relay

R42S24

Cod. XR042S24

R82S24

Cod. XR082S24

INPUT TECHNICAL DATA

Input voltage 12 – 30 Vdc (x 4 channels)
Level 1 (high) input signal > 12 Vdc
Level 0 (low) input signal < 6 Vdc
Rated current (1 channel) < 20 mA
Frequenza di commutazione -
Terminals block connectors terminal blocks 2.5 mm²

12 – 30 Vdc (x 8 channels)
> 12 Vdc
< 6 Vdc
< 20 mA

OUTPUT TECHNICAL DATA

Output voltage 5 – 60 Vdc
Continuous load current 2 A a 20°C
Max current 2.5 A
Stray current, 0 signal 1 mA
OFF/ON switching time 100 μs / 1 ms
Protection circuit -
Terminals blocks connectors terminal blocks 2.5 mm²

5 – 60 Vdc
2 A a 20°C
2.5 A
1 mA
100 μs / 1 ms
-
terminal blocks 2.5 mm²

GENERAL TECHNICAL DATA

Operating temperature see note (1)
Coil / contact isolation 4 kVac / 60 s
Protection degree IP 00
Reference standards IEC 664-1, DIN VDE 0110.1
Pollution degree 2
Overvoltage category 3
Relay model (1) EL.CO. SSR91-60B
Status display

see note (1)
4 kVac / 60 s
IP 00
IEC 664-1, DIN VDE 0110.1
2
3
EL.CO. SSR91-60B

Housing material polyamide UL94V-0
Approximative weight 207 g

LED
polyamide UL94V-0
379 g

Mounting information adjacent without gap
Mounting rail according to IEC60715/TH35



PR/3/AC - PR/3/AS

Mounting rail according to IEC60715/G32



PR/DIN/AC - PR/DIN/AS - PR/DIN/AL

adjacent without gap
PR/3/AC - PR/3/AS

PR/DIN/AC - PR/DIN/AS - PR/DIN/AL