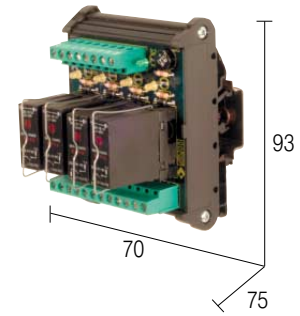
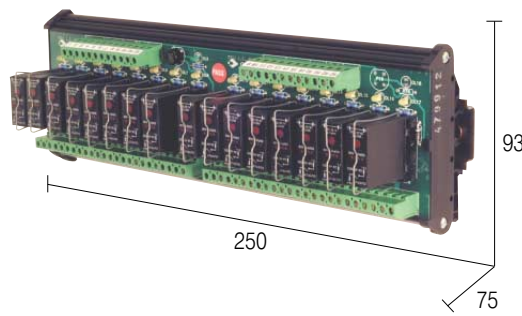


Multiple solid state relay modules

- For DC load (S version)
- For AC load (T version)

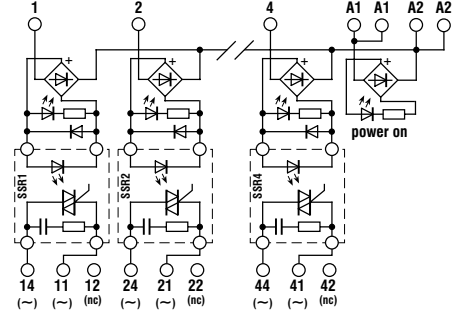
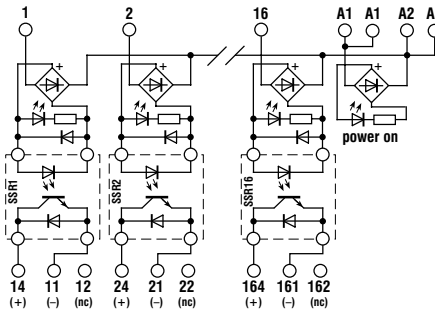


BLOCK DIAGRAMS / NOTES

(1) Relay model is not binding, they may be modified without prior warning. The technical data reported refer to the user relays, for more detail see pages 82 through 83.

(2) Available upon request.

Block diagram



VERSION

Pluggable relay
Fixed relay

R162S24

Cod. XR162S24

R42T24 (2)

Cod. XR042T24

INPUT TECHNICAL DATA

Input voltage	12 – 30 Vdc (x 16 channels)
Level 1 (high) input signal	> 12 Vdc
Level 0 (low) input signal	< 6 Vdc
Rated current (1 channel)	< 20 mA
Switching frequency	–
Terminals block connectors	terminal blocks 2.5 mm ²

Input voltage	12 – 30 Vdc (x 4 channels)
Level 1 (high) input signal	> 12 Vdc
Level 0 (low) input signal	< 6 Vdc
Rated current (1 channel)	< 20 mA
Switching frequency	–
Terminals block connectors	terminal blocks 2.5 mm ²

OUTPUT TECHNICAL DATA

Output voltage	5 – 60 Vdc
Continuous load current	2 A a 20°C
Max current	2.5 A
Stray current, 0 signal	1 mA
OFF/ON switching time	100 μs / 1 ms
Protection circuit	–
Terminals blocks connectors	terminal blocks 2.5 mm ²

Output voltage	20 – 240 Vac (zero crossing switching)
Continuous load current	2 A a 20°C
Max current	2.5 A
Stray current, 0 signal	2 mA
OFF/ON switching time	10 ms / 10 ms
Protection circuit	filter RC
Terminals blocks connectors	terminal blocks 2.5 mm ²

GENERAL TECHNICAL DATA

Operating temperature	see note (1)
Coil / contact isolation	4 kVac / 60 s
Protection degree	IP 00
Reference standards	IEC 664-1, DIN VDE 0110.1
Pollution degree	2
Overvoltage category	3
Relay model (1)	EL.CO. SSR91-60B
Status display	LED

Operating temperature	see note (1)
Coil / contact isolation	4 kVac / 60 s
Protection degree	IP 00
Reference standards	IEC 664-1, DIN VDE 0110.1
Pollution degree	2
Overvoltage category	3
Relay model (1)	EL.CO. SSR90-240B
Status display	LED

Housing material	polyamide UL94V-0
Approximative weight	756 g
Mounting information	adjacent without gap
Mounting rail	PR/3/AC - PR/3/AS
according to IEC60715/TH35	
Mounting rail	PR/DIN/AC - PR/DIN/AS - PR/DIN/AL
according to IEC60715/G32	

Housing material	polyamide UL94V-0
Approximative weight	207 g
Mounting information	adjacent without gap
Mounting rail	PR/3/AC - PR/3/AS
according to IEC60715/TH35	
Mounting rail	PR/DIN/AC - PR/DIN/AS - PR/DIN/AL
according to IEC60715/G32	