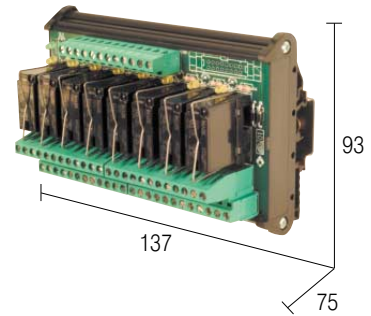
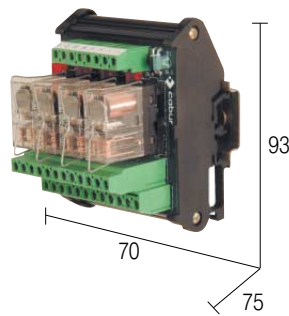


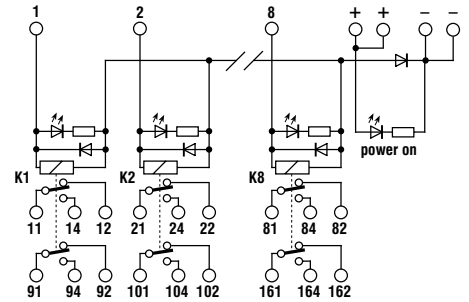
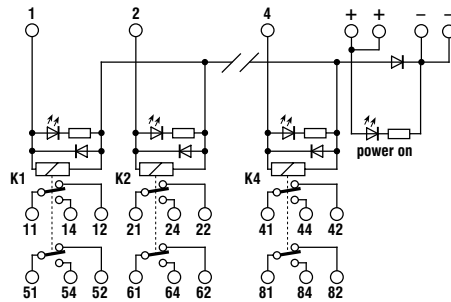
DPDT DC Multi-relay modules



BLOCK DIAGRAMS / NOTES

(1) Relay model is not binding, they may be modified without prior warning. The technical data reported refer to the user relays, for more detail see pages 68 through 73.

Block diagram



VERSION

Pluggable relay, negative common
Pluggable relay, positive common
Socket without relay, negative common

R42E24 Cod. XR042E24
R42E24P Cod. XR042E24P
Z4224D Cod. XZ4224D

R82E24 Cod. XR082E24
R82E24P Cod. XR082E24P
Z8224D Cod. XZ08224D

INPUT TECHNICAL DATA

Rated voltage 24 Vdc \pm 10%
Rated current (1 channel) 20 mA \pm 10%
Turn ON time 15 ms
Turn OFF time 5 ms
Terminals / connectors terminal blocks 2.5 mm²

Rated voltage 24 Vdc \pm 10%
Rated current 20 mA \pm 10%
Turn ON time 15 ms
Turn OFF time 5 ms
Terminals / connectors terminal blocks 2.5 mm²

OUTPUT TECHNICAL DATA



Type and number of contact DPDT x 4 relay
Rated voltage 250 Vac
Rated current 5 A
Current breaking power 5 A
Terminals / connectors terminal blocks 2.5 mm²
Isolation between output terminals 1 K Vac / 60 s


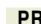
Type and number of contact DPDT x 8 relay
Rated voltage 250 Vac
Rated current 5 A
Current breaking power 5 A
Terminals / connectors terminal blocks 2.5 mm²
Isolation between output terminals 1 K Vac / 60 s

GENERAL TECHNICAL DATA

Operating temperature - 10 – 50°C
Coil / contact isolation 2.5 kVac / 60 s
Protection degree IP 00
Reference standards IEC 664-1
Pollution degree 2
Overvoltage category 3
Relay model (1) OMRON G2R-2, NAIS JW2FSN, FINDER 40.52
Status display

Operating temperature - 10 – 50°C
Coil / contact isolation 2.5 kVac / 60 s
Protection degree IP 00
Reference standards IEC 664-1
Pollution degree 2
Overvoltage category 3
Relay model (1) OMRON G2R-2, NAIS JW2FSN, FINDER 40.52

Housing material polyamide UL94V-0
Approximative weight 225 g (pluggable relay version)
Mounting information adjacent without gap
Mounting rail according to IEC60715/TH35 
Mounting rail according to IEC60715/G32 
PR/3/AC - PR/3/AS
PR/DIN/AC - PR/DIN/AS - PR/DIN/AL

Housing material polyamide UL94V-0
Approximative weight 419 g (pluggable relay version)
Mounting information adjacent without gap
Mounting rail according to IEC60715/TH35 
Mounting rail according to IEC60715/G32 
PR/3/AC - PR/3/AS
PR/DIN/AC - PR/DIN/AS - PR/DIN/AL