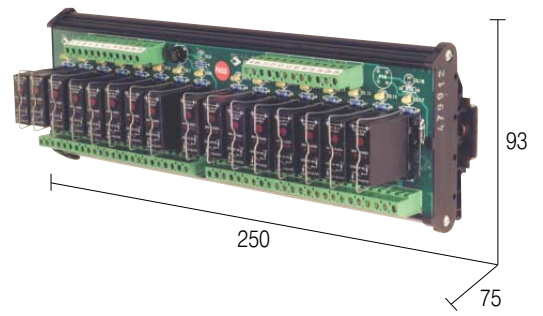
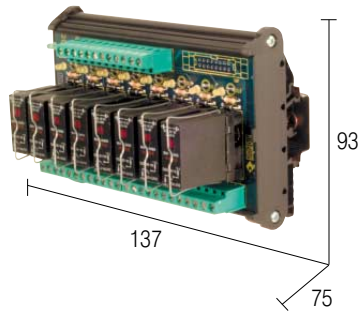


# Multiple solid state relay modules

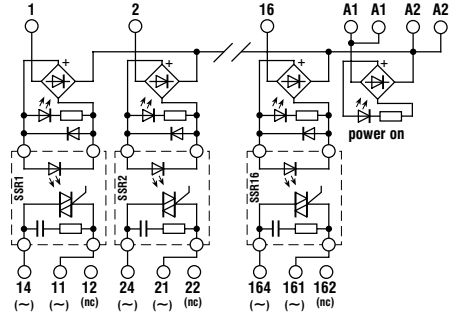
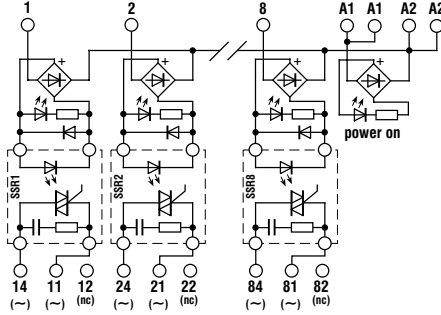
- For DC load



## BLOCK DIAGRAMS / NOTES

(1) Relay model is not binding, they may be modified without prior warning. The technical data reported refer to the user relays, for more detail see pages 82 through 83.  
 (2) Available upon request.

## Block diagram



### VERSION

Pluggable relay  
 Fixed relay

**R82T24**

Cod. XR082T24

**R162T24 (2)**

Cod. XR162T24

### INPUT TECHNICAL DATA

Input voltage 12 – 30 Vdc (x 8 channels)  
 Level 1 (high) input signal > 12 Vdc  
 Level 0 (low) input signal < 6 Vdc  
 Rated current < 20 mA  
 Switching frequency –  
 Terminals block connectors terminal blocks 2.5 mm<sup>2</sup>

12 – 30 Vdc (x 16 channels)  
 > 12 Vdc  
 < 6 Vdc  
 < 20 mA  
 –  
 terminal blocks 2.5 mm<sup>2</sup>  
 75  
 93  
 250

### OUTPUT TECHNICAL DATA

Output voltage 20 – 240 Vac (zero crossing switching)  
 Continuous load current 2 A a 20°C  
 Max current 2.5 A  
 Stray current, 0 signal 2 mA  
 OFF/ON switching time 10 ms / 10 ms  
 Protection circuit filter RC  
 Terminals block connectors terminal blocks 2.5 mm<sup>2</sup>

20 – 240 Vac (zero crossing switching)  
 2 A a 20°C  
 2.5 A  
 2 mA  
 10 ms / 10 ms  
 filter RC  
 terminal blocks 2.5 mm<sup>2</sup>

### GENERAL TECHNICAL DATA

Operating temperature see note (1)  
 Coil / contact isolation 4 kVac / 60 s  
 Protection degree IP 00  
 Reference standards IEC 664-1, DIN VDE 0110.1  
 Pollution degree 2  
 Overvoltage category 3  
 Relay model (1) EL.CO. SSR90-240B  
 Status display

see note (1)  
 4 kVac / 60 s  
 IP 00  
 IEC 664-1, DIN VDE 0110.1  
 2  
 3  
 EL.CO. SSR90-240B

Housing material polyamide UL94V-0  
 Approximate weight 379 g  
 Mounting information adjacent without gap  
 Mounting rail  **PR/3/AC - PR/3/AS**

LED  
 polyamide UL94V-0  
 756 g  
 adjacent without gap  
**PR/3/AC - PR/3/AS**

Mounting rail  **PR/DIN/AC - PR/DIN/AS - PR/DIN/AL**

**PR/DIN/AC - PR/DIN/AS - PR/DIN/AL**