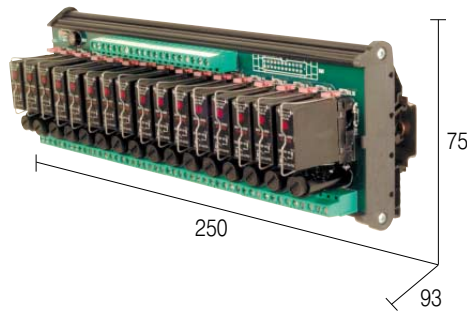


Multiple solid state relay modules with fuse

- For DC load



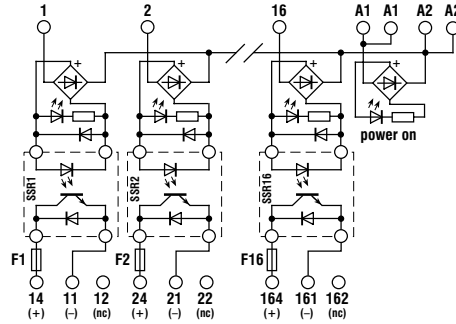
BLOCK DIAGRAMS / NOTES

(1) Relay model is not binding, they may be modified without prior warning. The technical data reported refer to the user relays, for more detail see pages 82 through 83.

(2) Available upon request.

(3) The fuse must be dimensioned according to load. The max. value of 6.3 A is referred to EN60127-complying fuses and the homologation rated current of the fuse-holder. Fuses of a higher value may damage the fuse-holder and module.

Block diagram



VERSION

- Pluggable relay
- Fixed relay

R161S24F

Cod. XR161S24F

INPUT TECHNICAL DATA

Input voltage	12 – 30 Vdc (x 16 channels)
Level 1 (high) input signal	> 12 Vdc
Level 0 (low) input signal	< 6 Vdc
Rated current (1 channel)	< 20 mA
Switching frequency	–
Terminals / connectors	terminal blocks 2.5 mm ²
Corrente max fusibili	6.3 A / 5 x 20 (3)
Corrente max portafusibili	10 A / 250 Vac

OUTPUT TECHNICAL DATA

Output voltage	5 – 60 Vdc
Continuous load current	2 A a 20°C
Max current	2.5 A
Stray current, 0 signal	1 mA
OFF/ON switching time	100 μs / 1 ms
Protection circuit	–
Terminals blocks connectors	terminal blocks 2.5 mm ²

GENERAL TECHNICAL DATA

Operating temperature	see note
Coil / contact isolation	4 kVac / 60 s
Protection degree	IP 00
Reference standards	IEC 664-1, DIN VDE 0110.1
Pollution degree	2
Overvoltage category	3
Relay model (1)	EL.CO. SSR91-60B
Status display	LED
Housing material	polyamide UL94V-0
Approximative weight	756 g
Mounting information	adjacent without gap
Mounting rail according to IEC60715/TH35	PR/3/AC - PR/3/AS
Mounting rail according to IEC60715/G32	PR/DIN/AC - PR/DIN/AS - PR/DIN/AL