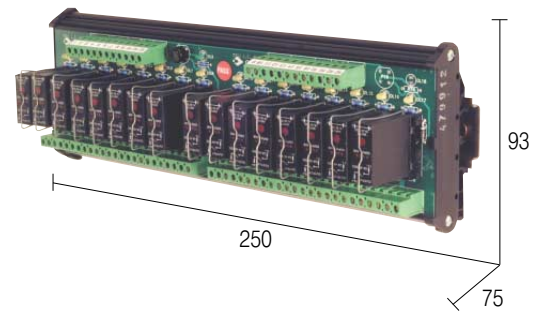
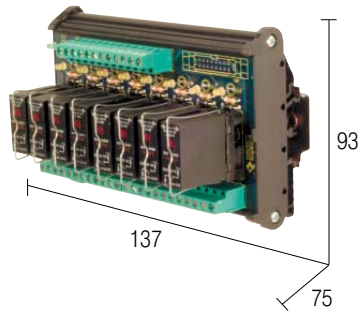


Multiple solid state relay modules

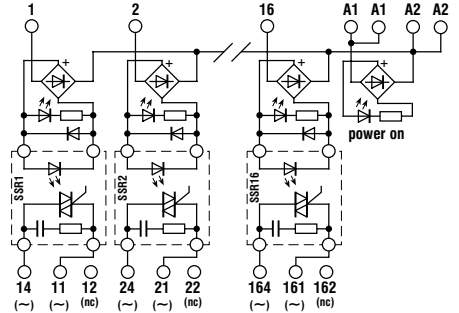
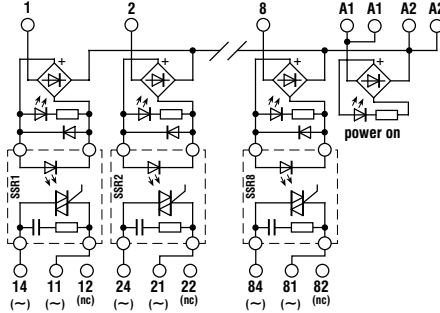
- For DC load



BLOCK DIAGRAMS / NOTES

(1) Relay model is not binding, they may be modified without prior warning. The technical data reported refer to the user relays, for more detail see pages 82 through 83.
 (2) Available upon request.

Block diagram



VERSION

Pluggable relay
 Fixed relay

R82T24

Cod. XR082T24

R162T24 (2)

Cod. XR162T24

INPUT TECHNICAL DATA

Input voltage 12 – 30 Vdc (x 8 channels)
 Level 1 (high) input signal > 12 Vdc
 Level 0 (low) input signal < 6 Vdc
 Rated current < 20 mA
 Switching frequency –
 Terminals block connectors terminal blocks 2.5 mm²

12 – 30 Vdc (x 16 channels)
 > 12 Vdc
 < 6 Vdc
 < 20 mA
 –
 terminal blocks 2.5 mm²
 75
 93
 250

OUTPUT TECHNICAL DATA

Output voltage 20 – 240 Vac (zero crossing switching)
 Continuous load current 2 A a 20°C
 Max current 2.5 A
 Stray current, 0 signal 2 mA
 OFF/ON switching time 10 ms / 10 ms
 Protection circuit filter RC
 Terminals block connectors terminal blocks 2.5 mm²

20 – 240 Vac (zero crossing switching)
 2 A a 20°C
 2.5 A
 2 mA
 10 ms / 10 ms
 filter RC
 terminal blocks 2.5 mm²

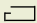
GENERAL TECHNICAL DATA

Operating temperature see note (1)
 Coil / contact isolation 4 kVac / 60 s
 Protection degree IP 00
 Reference standards IEC 664-1, DIN VDE 0110.1
 Pollution degree 2
 Overvoltage category 3
 Relay model (1) EL.CO. SSR90-240B
 Status display

see note (1)
 4 kVac / 60 s
 IP 00
 IEC 664-1, DIN VDE 0110.1
 2
 3
 EL.CO. SSR90-240B

Housing material polyamide UL94V-0
 Approximate weight 379 g
 Mounting information adjacent without gap
 Mounting rail  **PR/3/AC - PR/3/AS**

LED
 polyamide UL94V-0
 756 g
 adjacent without gap
PR/3/AC - PR/3/AS

Mounting rail according to IEC60715/TH35  **PR/DIN/AC - PR/DIN/AS - PR/DIN/AL**

PR/DIN/AC - PR/DIN/AS - PR/DIN/AL